



Eyal Microwave Ltd.
Phone: 972-9-7499100 Fax: 972-9-7493669
Kibbutz Eyal D.N. Hasharon Hatichon 45840 Israel
Web: www.eyal-emi.com Email: emi@eyal-emi.com



Specification for

UP Converter

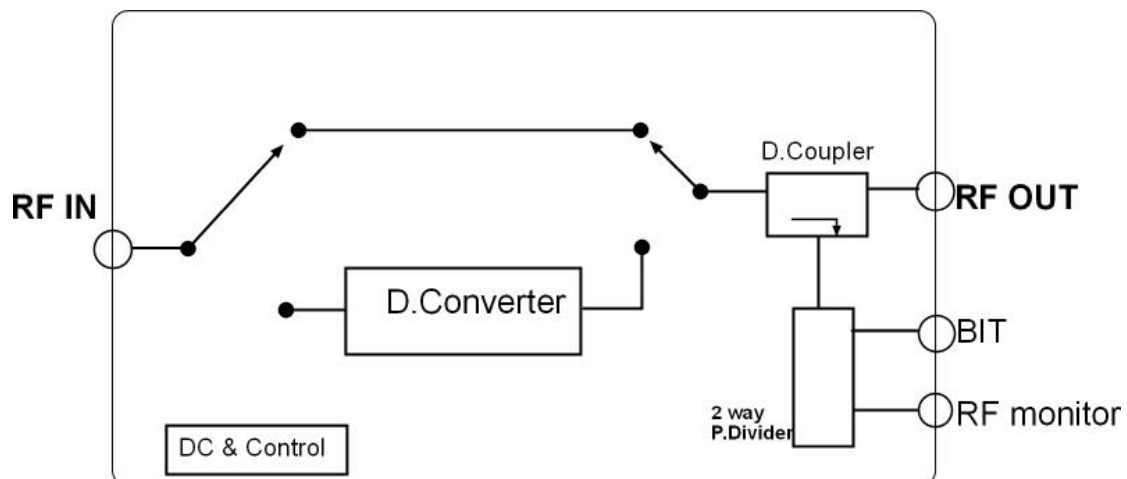
MODEL: VUC-2366-02

General Description:

The unit switched the input signal in between 2 RF channels.
At the NB channel input signal go directly to output.
At the WB channel input signal go trough down conversion.

The module contain of RF power controlling to keep signal power out to the desired level. The output port contain of RF monitoring as well as BIT output.

Principal block diagram





Eyal Microwave Ltd.

Phone: 972-9-7499100 Fax: 972-9-7493669

Kibbutz Eyal D.N. Hasharon Hatichon 45840 Israel

Web: www.eyal-emi.com Email: emi@eyal-emi.com



Electrical specification

NB input RF signal	1.5÷30.0 MHz
WB input RF signal	43.0 MHz
RF input level	17 dBm
From 1.5÷3.5 MHz IP2 & IP3	-35dBc min
From 3.5÷1000 MHz IP2 & IP3	-40dBc min
Spurious	-60dBc
In Out VSWR	1.5:1
Switches switching speed	1.0 mSec max.
Switches control	TTL
RF output level	0 dBm ±1dBm
RF out frequency range	1.5÷30 MHz
Power supply	+5V & +12V
Operating temperature range	-35°C to +60°C

Mechanical size (mm): 100 X 100 x 16

RF Connectors: SMA (f)

Environmental:

Vibration	MIL-STD 810 Method 514.4 table 514.4
Humidity	MIL-STD 810E Method 507.3
Salt fog	MIL-STD 810E Method 509.3
Mechanical Shock	MIL-STD 810E Method 516.4