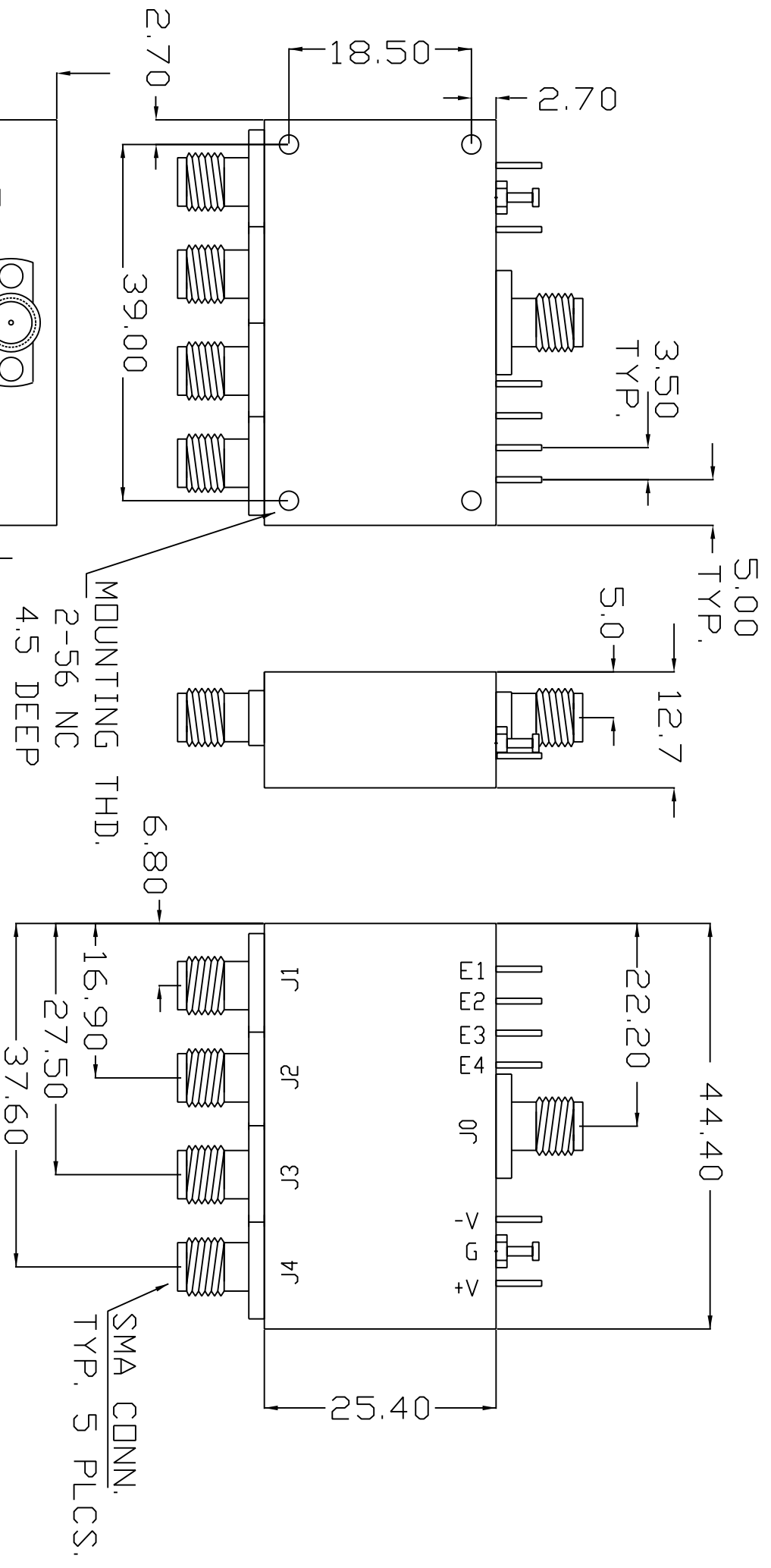


REV	DESCRIPTION	NAME	DATE
	INIT.	M.D	12/94



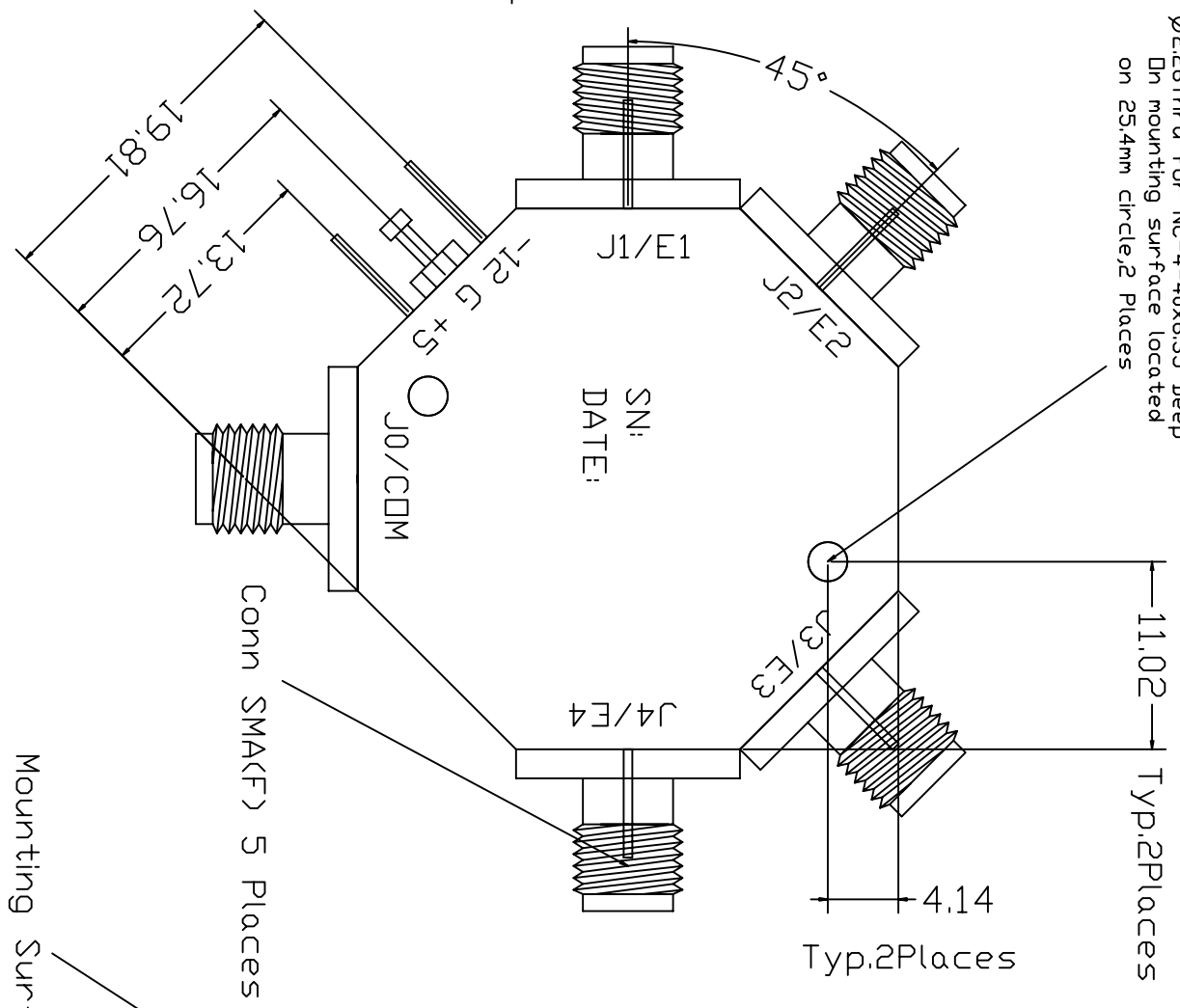
MOUNTING THD.
2-56 NC
4.5 DEEP

SMA CONN.
TYP. 5 PLCS.

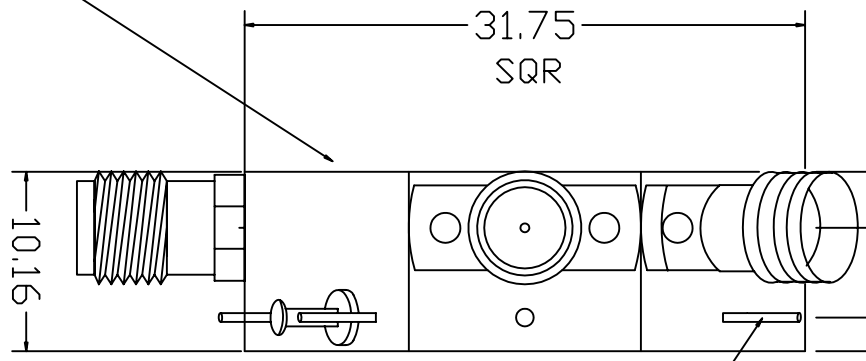
MARKING - WHITE.
GENERAL TOLERANCE : ± 0.5

NEXT ASSEMBLY		FINISH		BLACK EPOXY		NAME		DATE	
		PLATING PER				DRAWN	M.D		12/94
		PAINTING PER				ENG APP'D	A.C		12/94
		MATERIAL	AL-6061-T6			QA. APP'D	M.C		12/94
		SURFACE FINISH							
GENERAL TOLERANCES		TITLE							
DIM	MM/INCH	SP4T SWITCH							
SCALE		PC : 103-2							
EVAL MICROWAVE INDUSTRY		DRAWING NO.		R-53		REV.			

Ø2.26Thru for NC-4-40x6.35 Deep
 On mounting surface located
 on 25.4mm circle, 2 Places



3.18
 1.91



REV	DESCRIPTION	NAME	DATE
---	INIT	S.V	07/07/2

EYAL MICROWAVE
 Part No. SK-5416
 Quantity: 100
 Date: 07/07/2

FINISH	Gold	NAME	DATE
PLATING PER		S.V	07/07/2
PAINING PER		A.C	07/07/2
MATERIAL	AL-6061-T6	M.C	07/07/2
SURFACE FINISH	V ⁵²		

GENERAL TOLERANCES ± 0.3

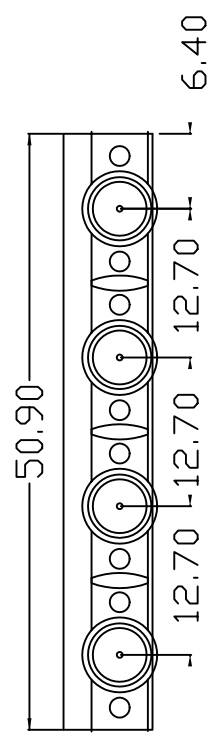
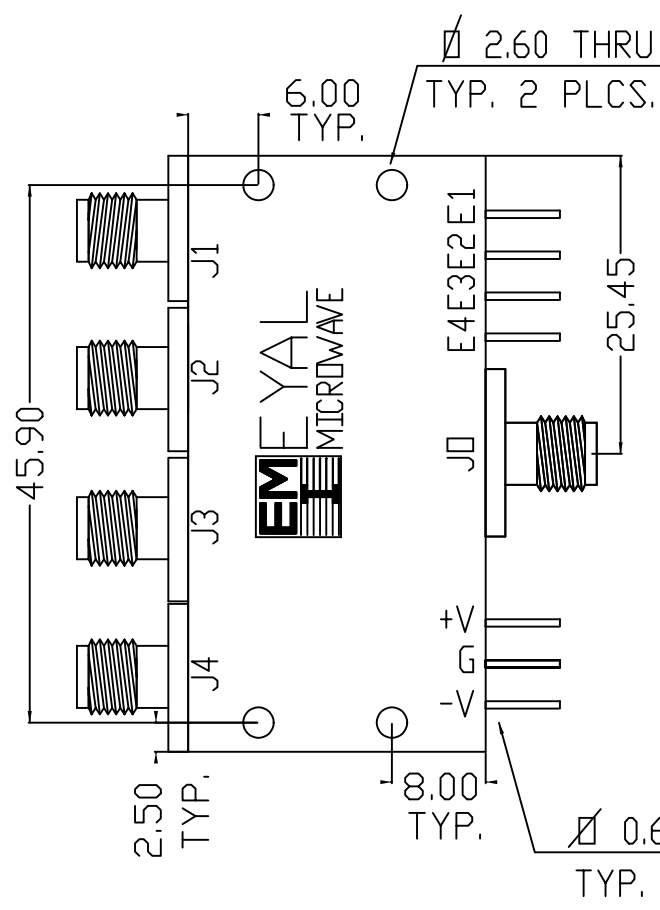
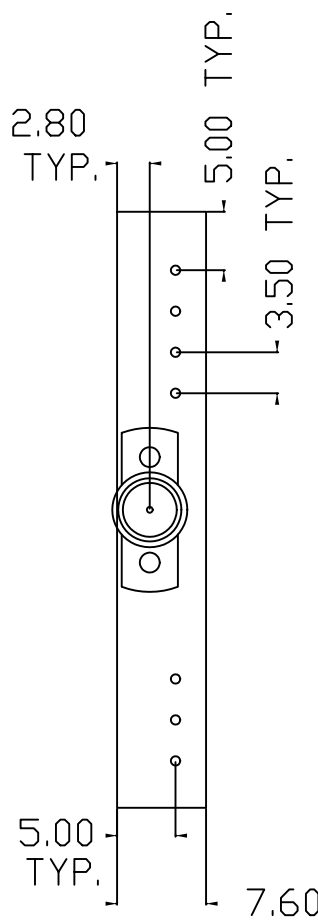
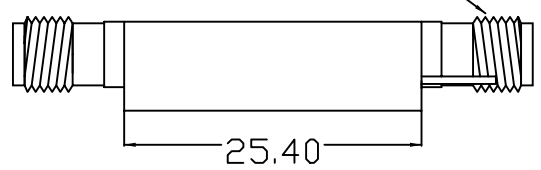
DIM	MM
SCALE	

EYAL MICROWAVE INDUSTRY

TITLE	OUTLINE FOR
DRAWING NO.	SP4T N,Ref Switch
REV.	

REV	DESCRIPTION	NAME	DATE
	INIT.	M.D	00/4/9

SMA CONN.
TYP. 5 PLCS.

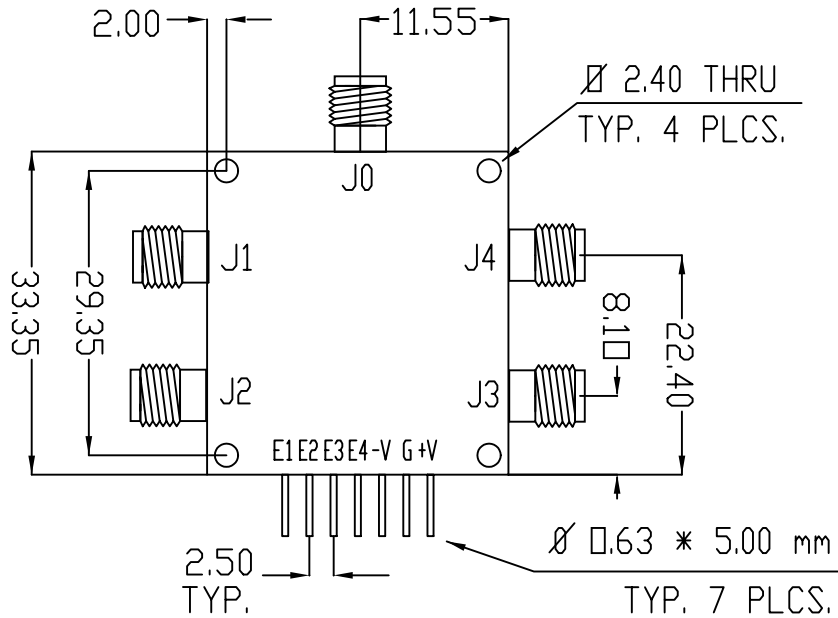
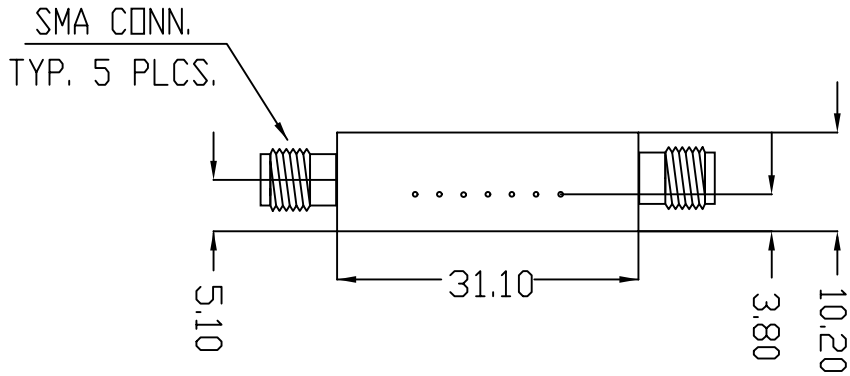


NOTES:
1) MARKING - WHITE

EYAL MICROWAVE
IND
.....77777 777E2
.....S77E#
SK-4658

NOTES:		FINISH	BLACK EPOXY.	NAME	DATE
		PLATING PER		M.D	6/4/00
		PAINTING PER		A.C	6/4/00
		MATERIAL	AL-6061-T6	M.C	6/4/00
		SUREFACE FINISH			
		GENERAL TOLERANCES		TITLE	
DIM		± 0.5mm		OUTLINE FOR	
SCALE				SP4T SWITCH	
				P.C: 503/10	
		EYAL MICROWAVE INDUSTRY		DRAWING NO.	503/10
				REV.	

REV	DESCRIPTION	NAME	DATE
INIT.		M.D	14/8/94

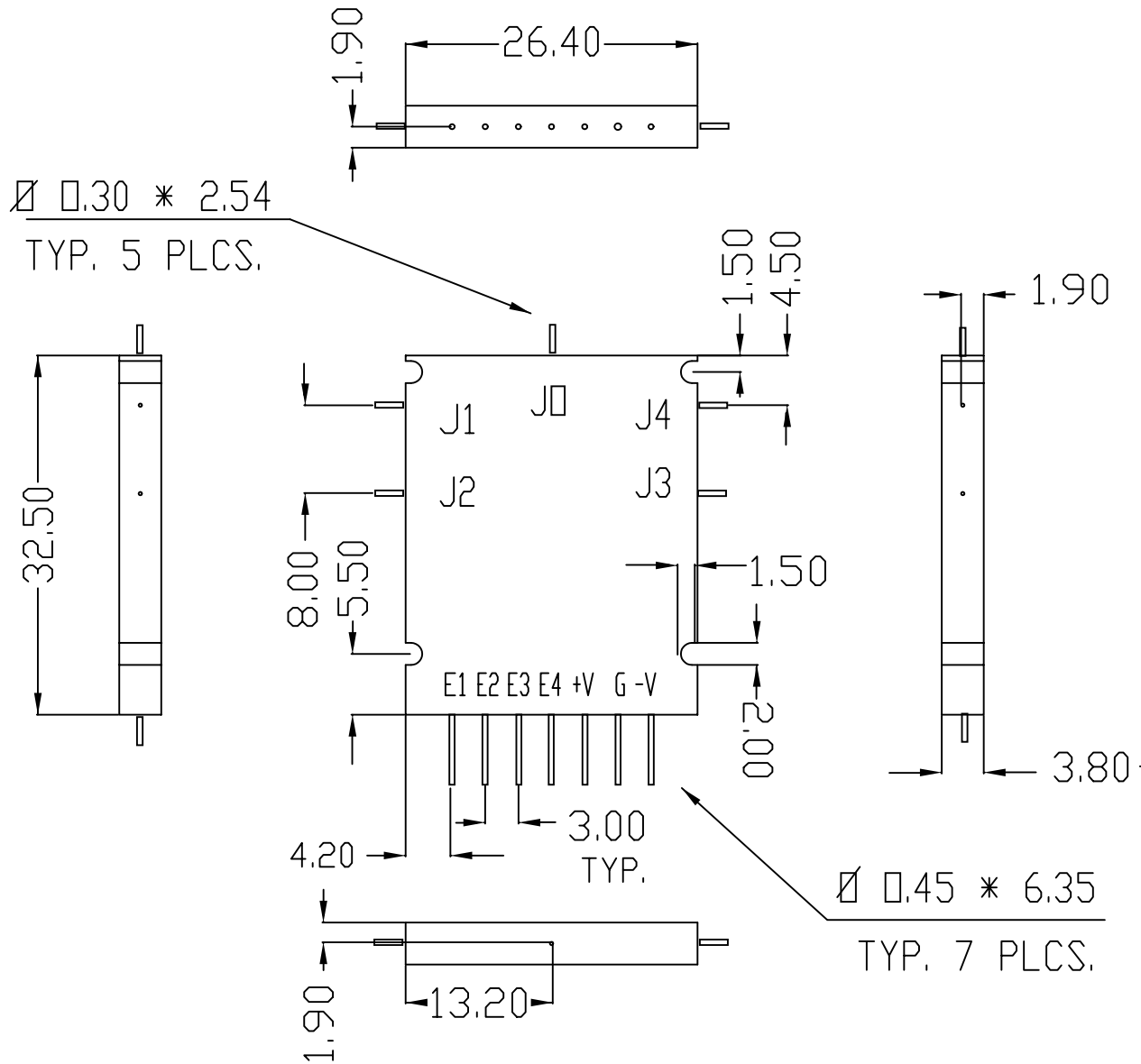


GENERAL TOLERANCE ± 0.5

MARKING -WHITE

NEXT ASSEMBLY		FINISH	BLACK EPOXY	NAME	DATE
		PLATING PER		M.D	14/8/94
		PAINTING PER		A.C	14/8/94
		MATERIAL	AL-6061-T6	M.C	14/8/94
		SUREFACE FINISH			
		GENERAL TOLERANCES		TITLE	
DIM	MM/INCH	* $\pm .10 / .010$ "		SP4T SWITCH	
SCALE		.XX $\pm .05 / .005$ "		P.C 403	
		.XXX $\pm .025 / .002$ "			
EYAL MICROWAVE INDUSTRY			DRAWING NO.	R-9	REV.

REV	DESCRIPTION	NAME	DATE
INIT.		M.D	14/8/94

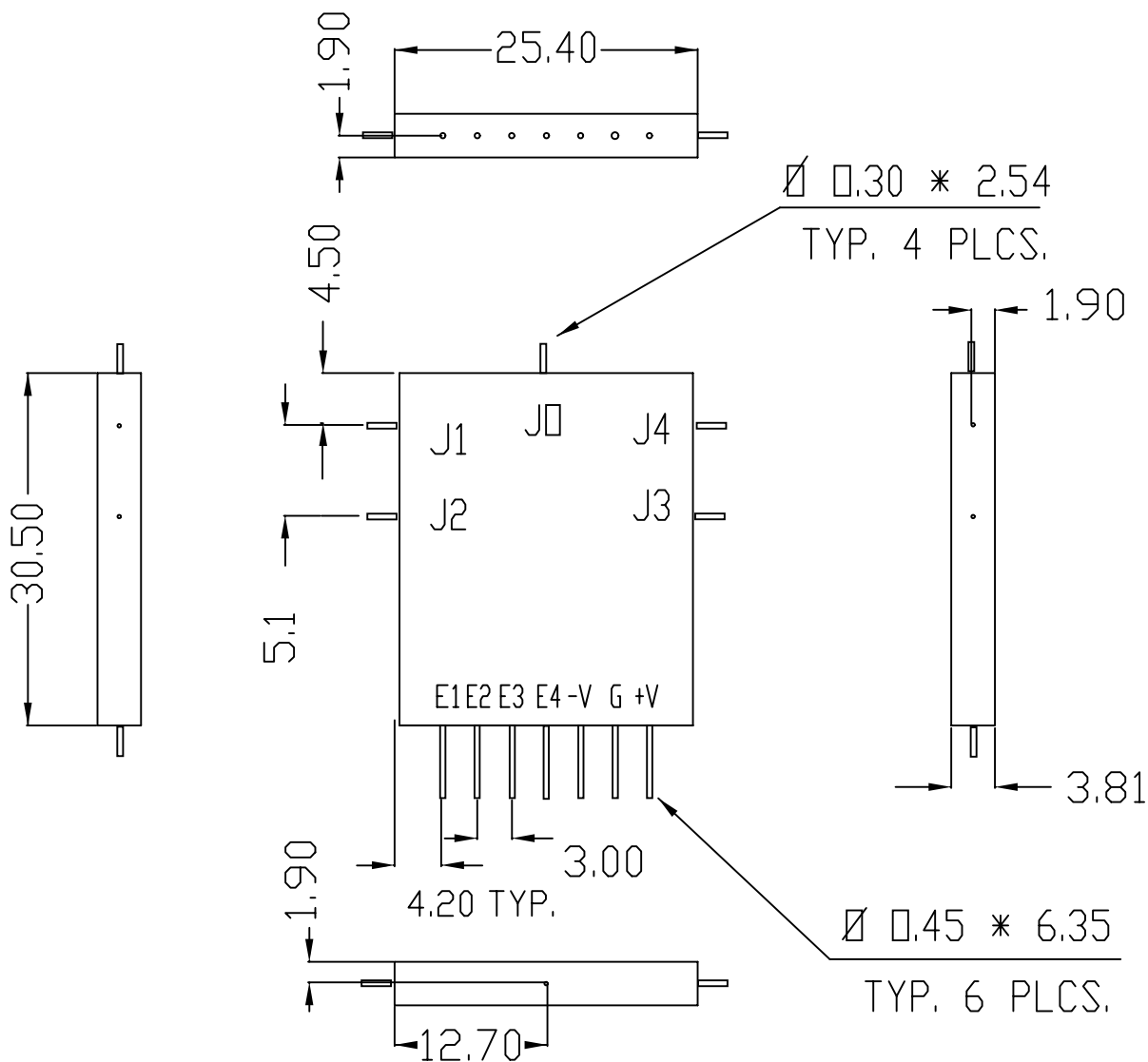


GENERAL TOLERANCE ± 0.3

MARKING - BLACK

NEXT ASSEMBLY		FINISH	GOLD	NAME	DATE
		PLATING PER	MIL-G-45204	DRAWN	M.D 14/8/94
		PAINTING PER		ENG APP'D	A.C 14/8/94
		MATERIAL	AL-6061-T6	QA. APP'D	M.C 14/8/94
		SUREFACE FINISH			
		GENERAL TOLERANCES		TITLE	
DIM	MM/INCH	.X $\pm .10 / .010$ "		SP4T DROP-IN SWITCH	
SCALE		.XX $\pm .05 / .005$ "		P.C 303-3	
		.XXX $\pm .025 / .002$ "		DRAWING NO. R-19	
EYAL MICROWAVE INDUSTRY				REV.	

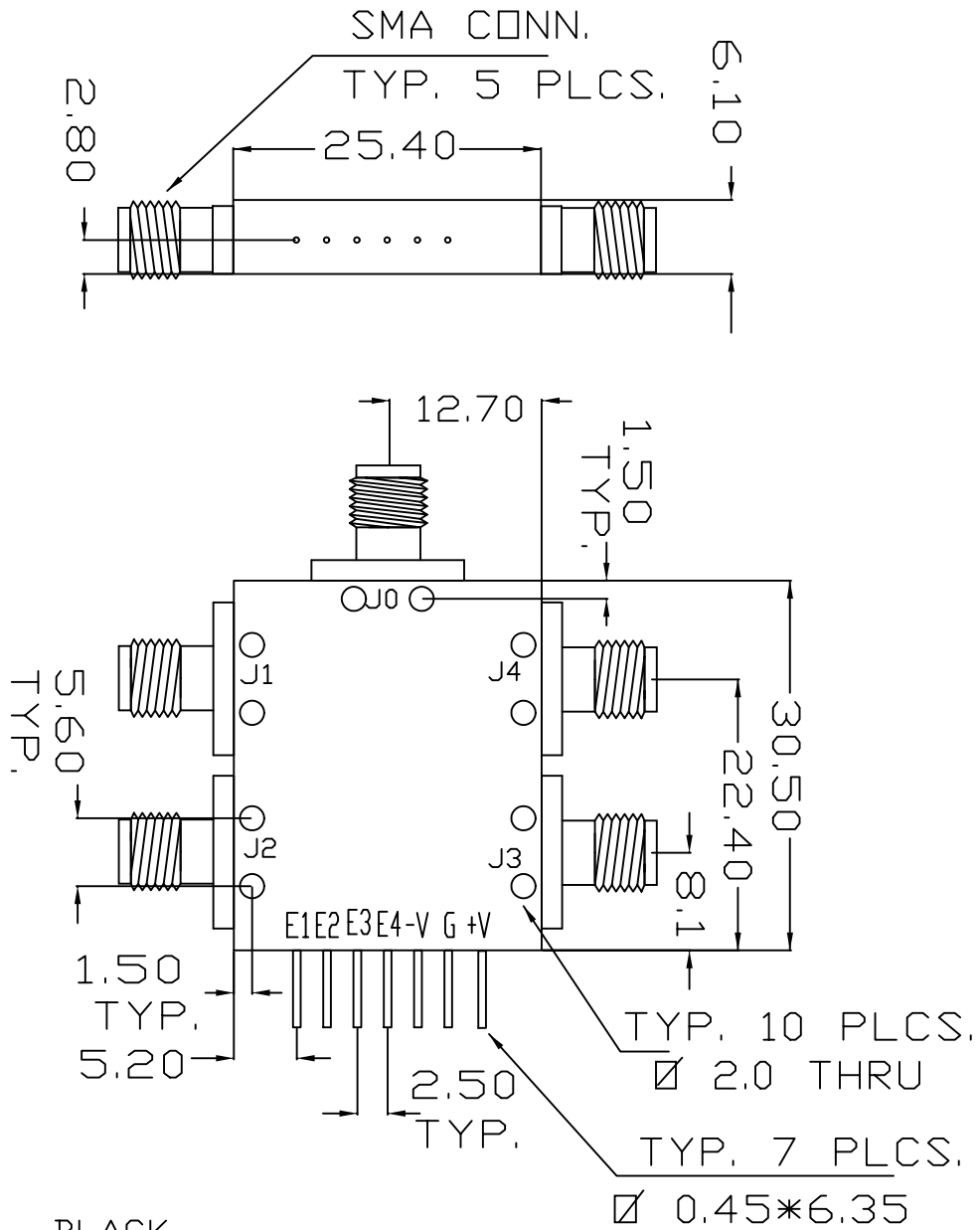
REV	DESCRIPTION	NAME	DATE
INIT.		M.D	14/8/94



GENERAL TOLERANCE ± 0.3
 MARKING - BLACK

NEXT ASSEMBLY		FINISH	GOLD	NAME	DATE
		PLATING PER	MIL-G-45204	M.D	14/8/94
		PAINING PER		A.C	14/8/94
		MATERIAL	AL-6061-T6	M.C	14/8/94
		SUREFACE FINISH			
		GENERAL TOLERANCES		TITLE	
DIM	MM/INCH	* $\pm .10 / .010$ "		SP4T DROP-IN SWITCH	
SCALE		.XX $\pm .05 / .005$ "		P.C 303-1	
		.XXX $\pm .025 / .002$ "		DRAWING NO.	REV.
EYAL MICROWAVE INDUSTRY				R-23	

REV	DESCRIPTION	NAME	DATE
	INIT.	M.D	12/94



MARKING - BLACK

GENERAL TOLERANCE : ± 0.3

NEXT ASSEMBLY		FINISH	GOLD	NAME	DATE
		PLATING PER		DRAWN	M.D 12/94
		PAINTING PER		ENG APP'D	A.C 12/94
		MATERIAL	AL-6061-T6	QA. APP'D	M.C 12/94
		SUREFACE FINISH			
		GENERAL TOLERANCES		TITLE	
DIM	MM/INCH	.X $\pm .10 / .010$ "		SP4T SWITCH	
		.XX $\pm .05 / .005$ "		PC: 203	
SCALE		.XXX $\pm .025 / .002$ "			
EYAL MICROWAVE INDUSTRY				DRAWING NO.	R-56
				REV.	