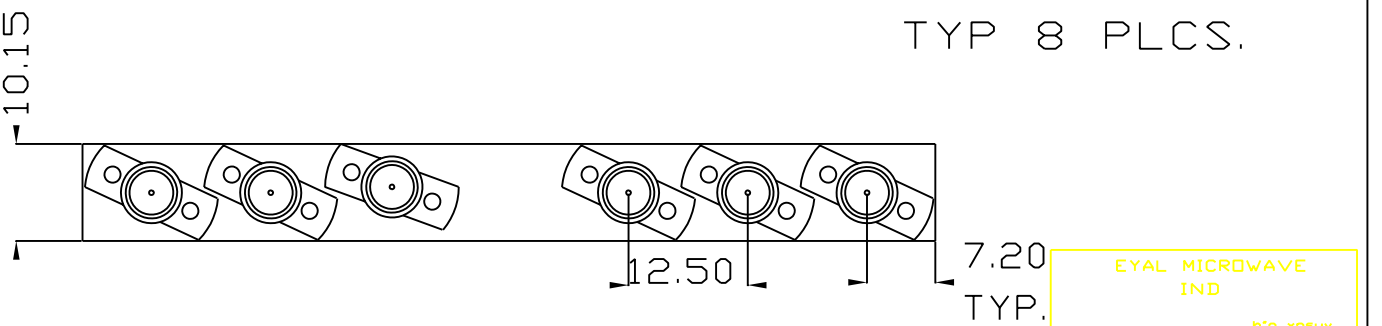
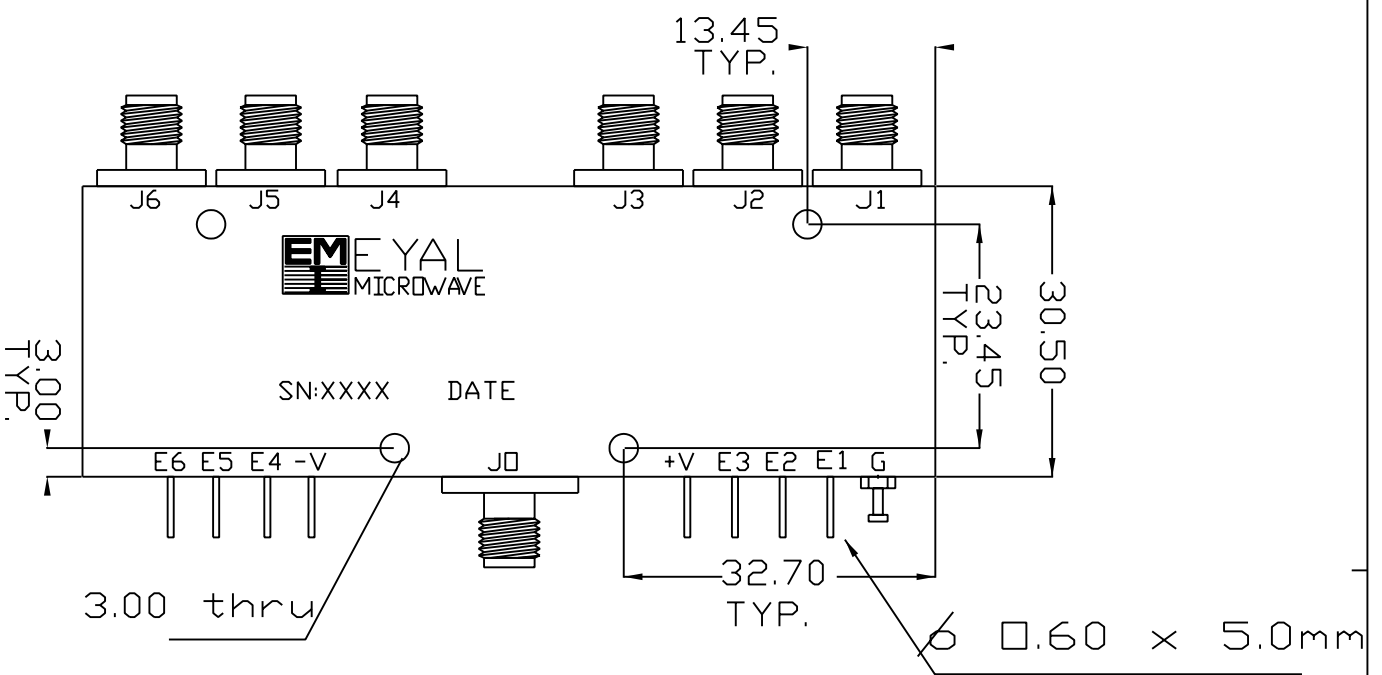
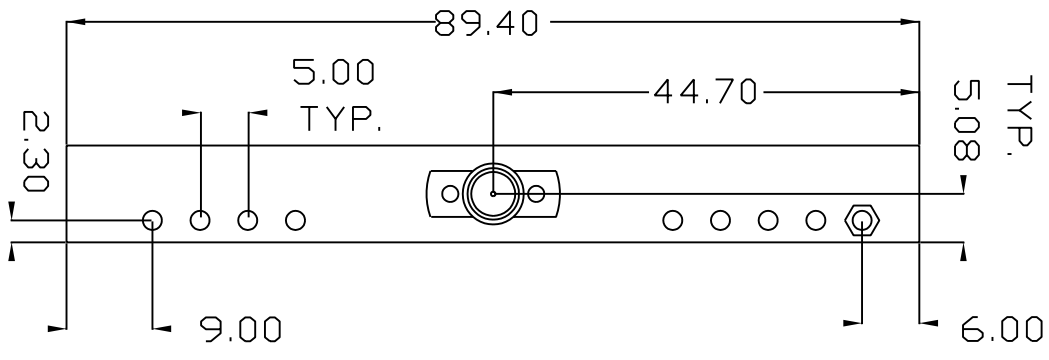


REV	DESCRIPTION	NAME	DATE
---	INIT	M.D	16/3/98

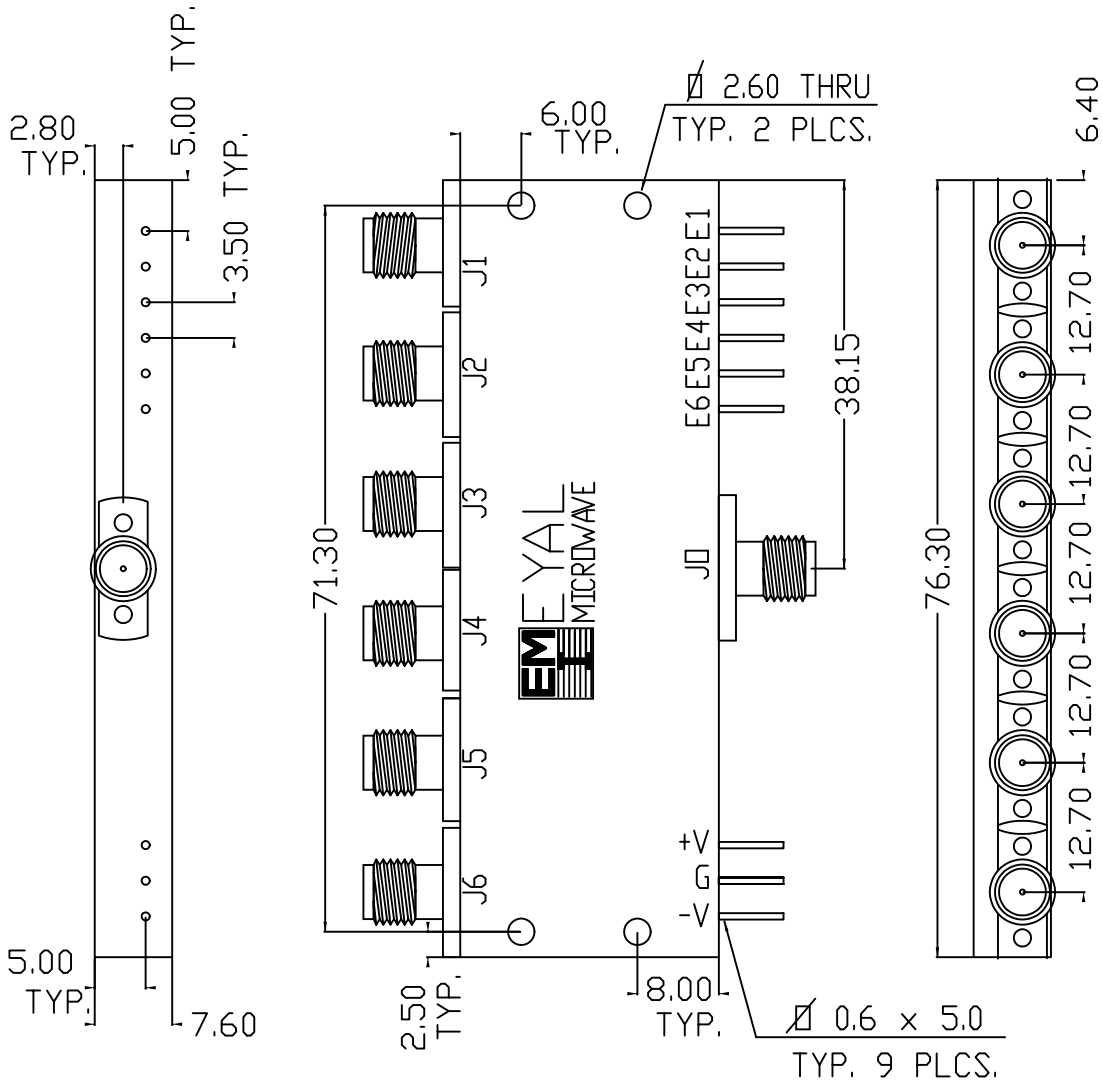
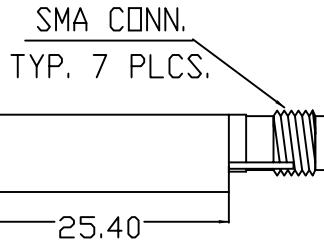


MARKING - WHITE
 GENERAL TOLERANCES ± 0.5

EYAL MICROWAVE
 IND
h'g xpsuv
?????? ???E?
????E?
 105

NEXT ASSEMBLY		FINISH	BLACK EPOXY.	NAME	DATE
		PLATING PER		M.D	16/3/98
		PAINTING PER		A.C	16/3/98
		MATERIAL	AL-6061-T6	M.C	16/3/98
		SUREFACE FINISH			
		GENERAL TOLERANCES		TITLE OUTLINE FOR	
DIM	MM/INCH	.X--- \pm .10--/--.010"---		SP6T P.C 105	
SCALE		.XX--- \pm .05--/--.005"---			
		.XXX--- \pm .025--/--.002"---			
EYAL MICROWAVE INDUSTRY				DRAWING NO.	REV.

REV	DESCRIPTION	NAME	DATE
	INIT.	M.D	6/4/00



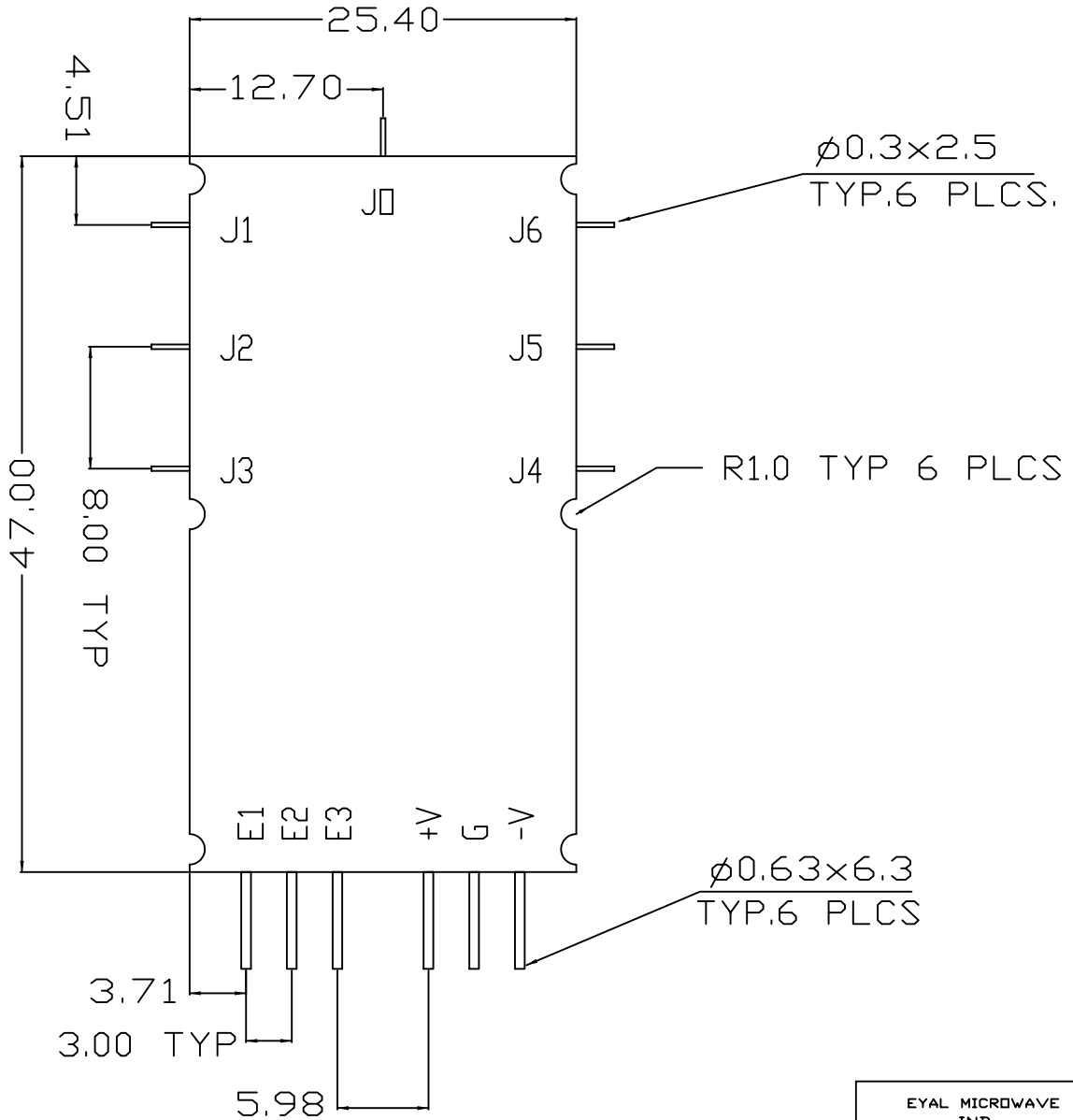
NOTES:

1) MARKING - WHITE

EYAL MICROWAVE
IND
.....?????? ????Z
.....5??E#
SK-4658

NOTES:		FINISH	BLACK EPOXY.	NAME	DATE
		PLATING PER		DRAWN	M.D 6/4/00
		PAINTING PER		ENG APP'D	A.C 6/4/00
		MATERIAL	AL-6061-T6	QA. APP'D	M.C 6/4/00
		SUREFACE FINISH			
		GENERAL TOLERANCES		TITLE OUTLINE FOR	
DIM	MM	± 0.5mm		SP6T SWITCH	
SCALE				P.C: 505/10	
			DRAWING NO. 505/10		REV.

REV	DESCRIPTION	NAME	DATE
---	INIT	R.M	19/1/95



EYAL MICROWAVE
IND
.....????? ???
.....?????

NEXT ASSEMBLY		FINISH		NAME	DATE
		PLATING PER		DRAWN	R.M 19/1/95
		PAINTING PER		ENG APP'D	F.D 19/1/95
		MATERIAL	AL-6061-T6	QA. APP'D	M.C
		SUREFACE FINISH			
		GENERAL TOLERANCES	TITLE		
DIM	MM/INCH	.X ±.10 / .010"	OUTLINE FOR		
SCALE		.XX ±.05 / .005"	P.C.305		
		.XXX ±.025 / .002"	DRAWING NO.		REV.
EYAL MICROWAVE INDUSTRY					

