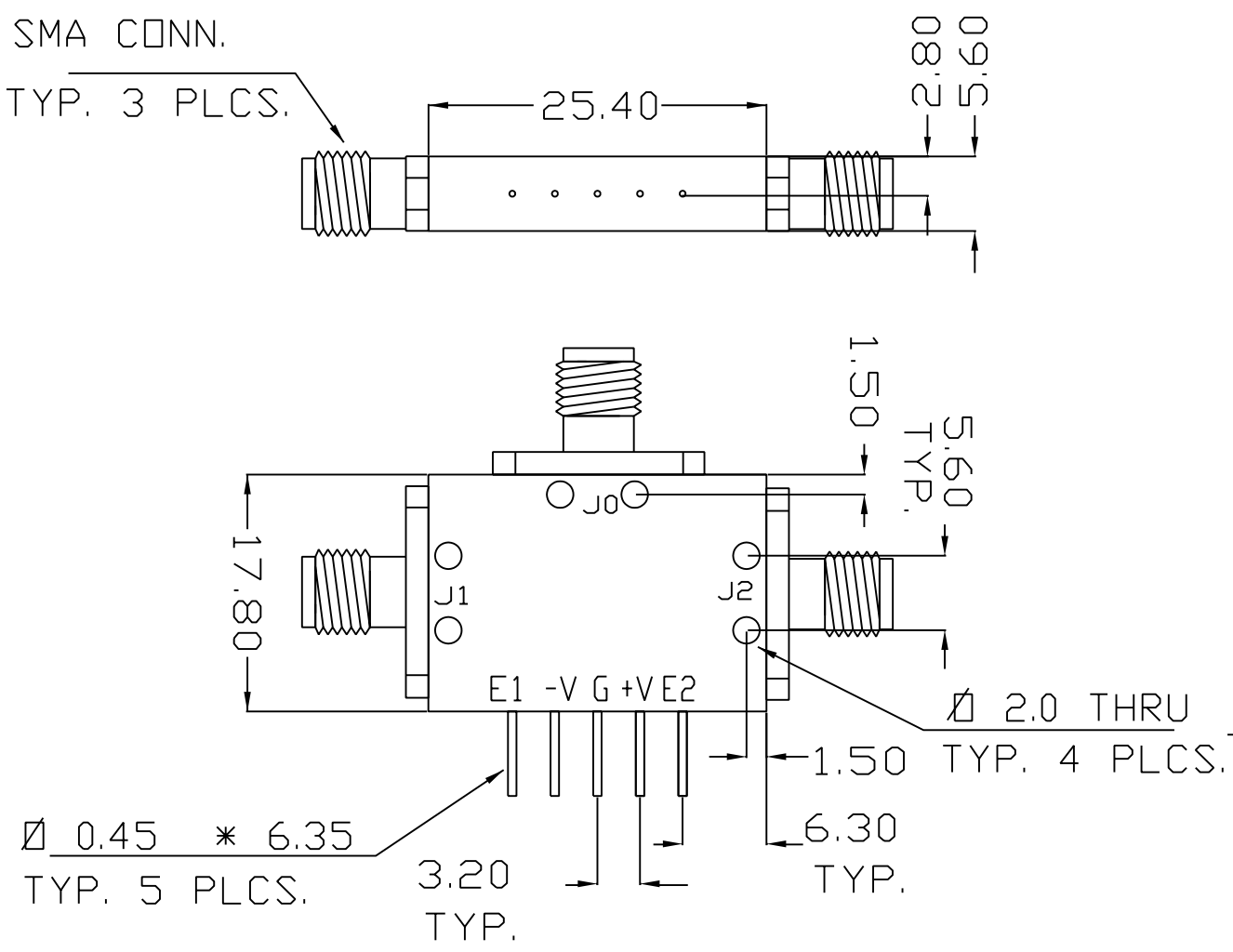


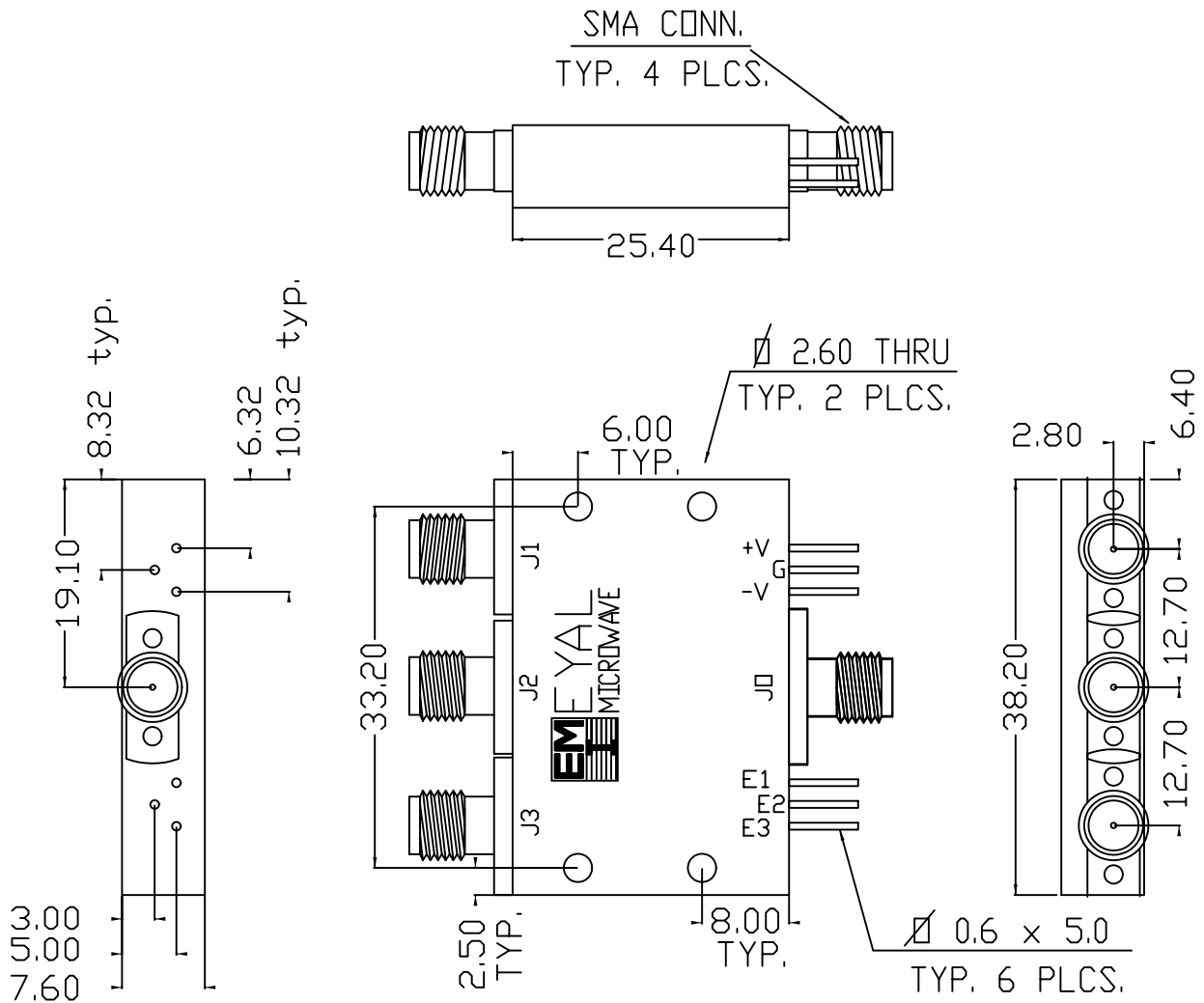
REV	DESCRIPTION	NAME	DATE
	INIT.	M.D	12/94



MARKING - BLACK
 GENERAL TOLERANCE : ± 0.3

NEXT ASSEMBLY		FINISH	GOLD	NAME	DATE
		PLATING PER		DRAWN	M.D 12/94
		PAINTING PER		ENG APP'D	A.C 12/94
		MATERIAL	AL-6061-T6	QA. APP'D	M.C 12/94
		SUREFACE FINISH			
		GENERAL TOLERANCES		TITLE	
DIM	MM/INCH	.X $\pm .10 / .010$ "		SPDT SWITCH	
		.XX $\pm .05 / .005$ "		PC : 201	
SCALE		.XXX $\pm .025 / .002$ "			
EYAL MICROWAVE INDUSTRY				DRAWING NO.	R-55
				REV.	

REV	DESCRIPTION	NAME	DATE
	INIT.	M.D	00/4/9



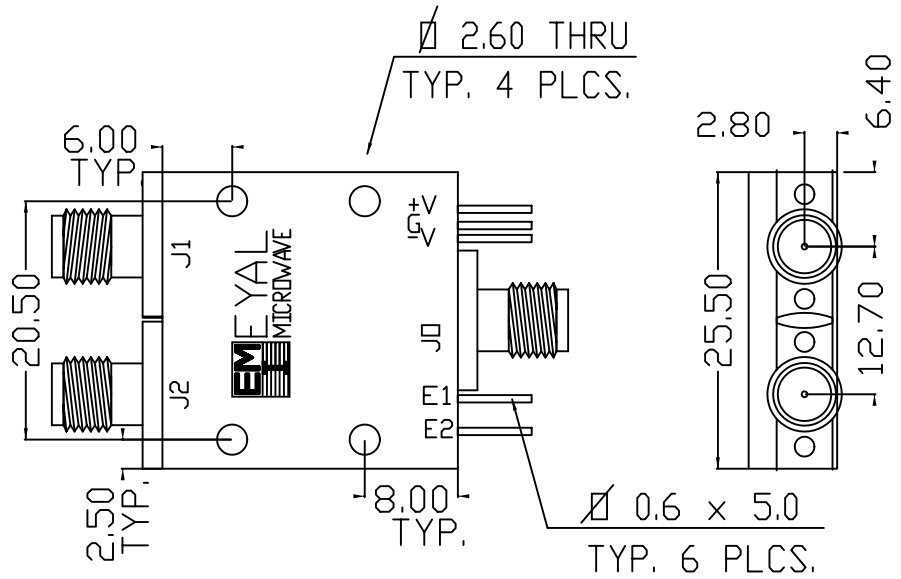
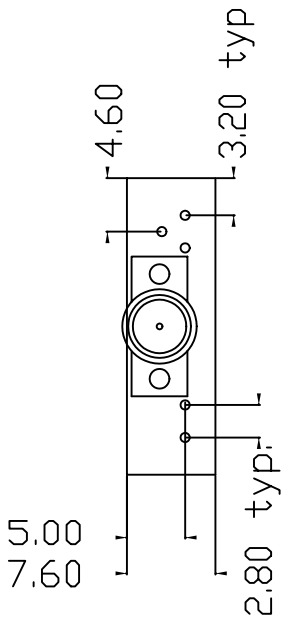
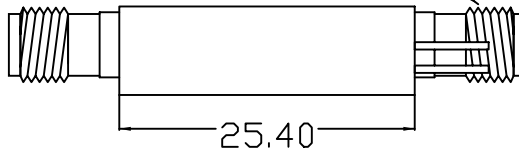
NOTES:
1) MARKING - WHITE

EYAL MICROWAVE
IND
.....????? ???eZ
.....S??e#
SK-4658

NOTES:		FINISH	BLACK EPOXY.	NAME	DATE
		PLATING PER		DRAWN	M.D 6/4/00
		PAINING PER		ENG APP'D	A.C 6/4/00
		MATERIAL	AL-6061-T6	QA. APP'D	M.C 6/4/00
		SUREFACE FINISH			
		GENERAL TOLERANCES		TITLE OUTLINE FOR SP3T SWITCH	
DIM	MM	± 0.5mm		P.C: 502/10	
SCALE					
			DRAWING NO.	502/10	REV.

REV	DESCRIPTION	NAME	DATE
	INIT.	M.D	00/4/9

SMA CONN.
TYP. 4 PLCS.



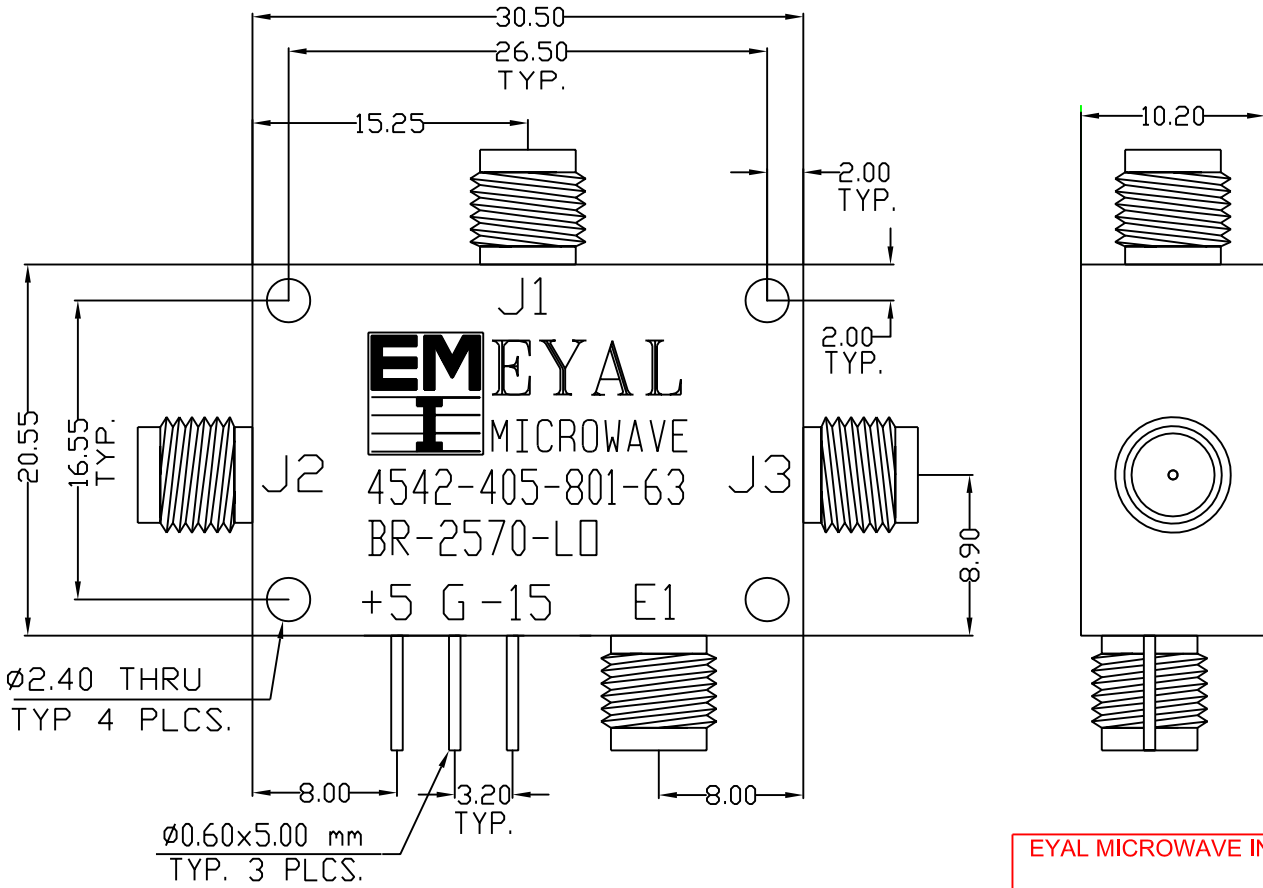
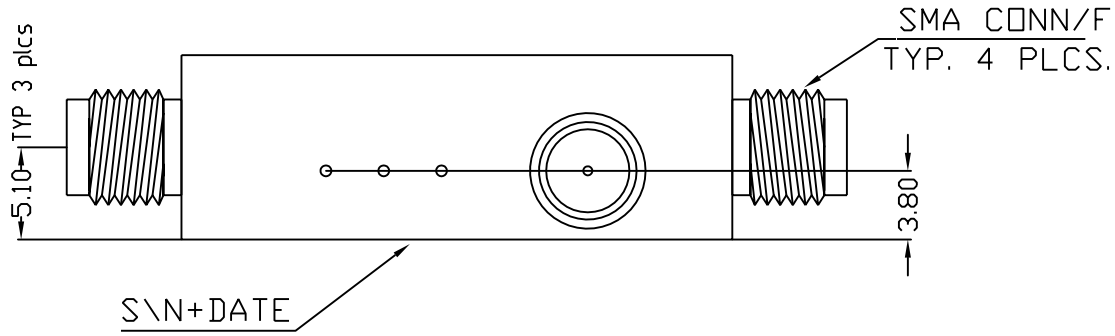
NOTES:

1) MARKING - WHITE

EYAL MICROWAVE
IND
.....?????? ????eZ
.....\$??e#
SK-4658

NOTES:		FINISH	BLACK EPOXY.	NAME	DATE
		PLATING PER		DRAWN	M.D 6/4/00
		PAINTING PER		ENG APP'D	A.C 6/4/00
		MATERIAL	AL-6061-T6	QA. APP'D	M.C 6/4/00
		SUREFACE FINISH			
		GENERAL TOLERANCES		TITLE	OUTLINE FOR
DIM	MM	± 0.5mm			SPDT SWITCH
SCALE					P.C: 501/10
		EYAL MICROWAVE INDUSTRY	DRAWING NO.	501/10	REV.

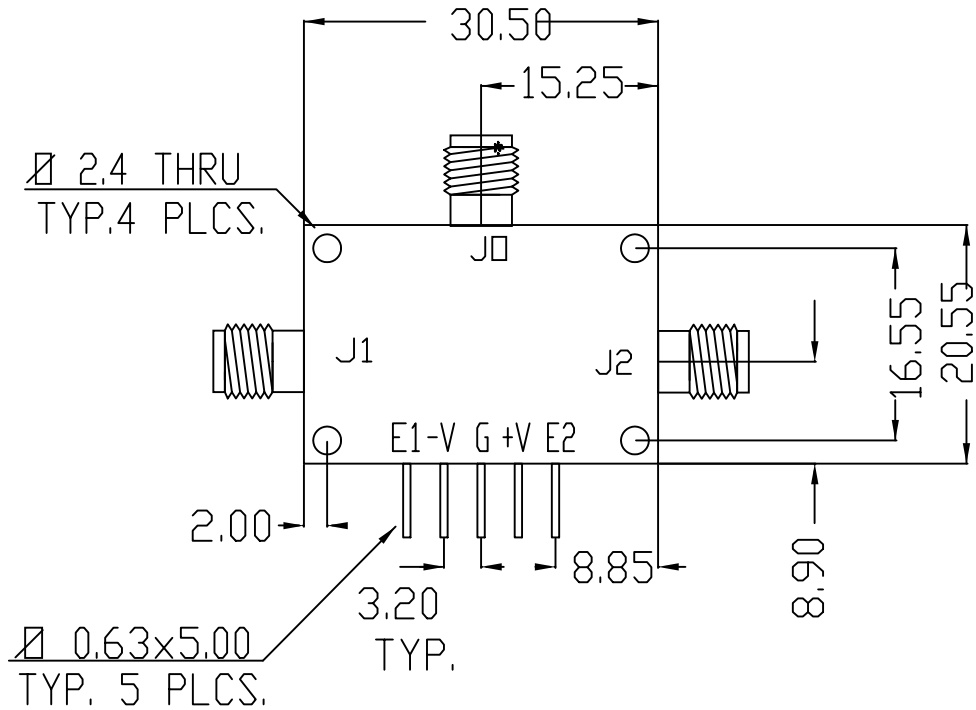
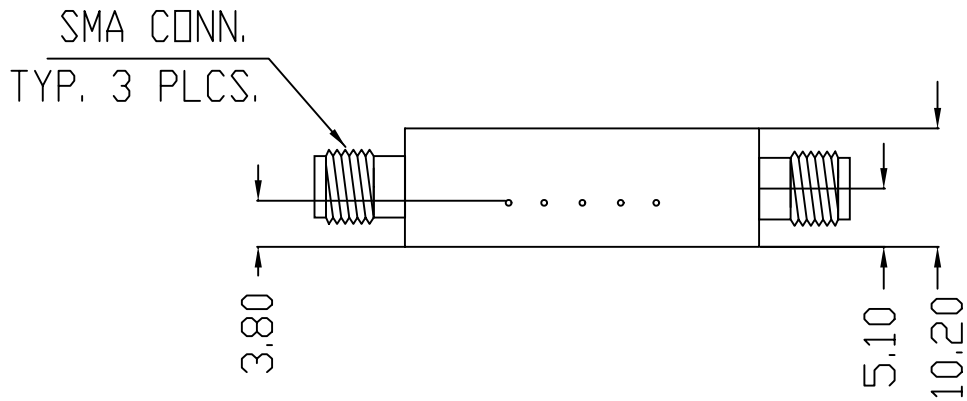
REV	DESCRIPTION	NAME	DATE
---	INIT	R.C.	24/2/03



EYAL MICROWAVE IND
 PRINTED BY:.....
 APPROVED BY:.....
 DATE:.....
 SK-5551

NEXT ASSEMBLY		FINISH	BLACK EPOXY	NAME	DATE
		PLATING PER		DRAWN	R.C. 24/2/03
		PAINTING PER		ENG APP'D	A.C. 24/2/03
		MATERIAL	AL-6061-T6	QA. APP'D	M.C. 24/2/03
		SURFACE FINISH			
		GENERAL TOLERANCES ± 0.5mm		TITLE OUTLINE FOR	
DIM	MM\INCH	MARKING WHITE		SPDT BR-2570-LD	
SCALE				P.C: 401/10	
EYAL MICROWAVE INDUSTRY			DRAWING NO.	2554-12	REV.

REV	DESCRIPTION	NAME	DATE
	INIT.	M.D	5/5/94

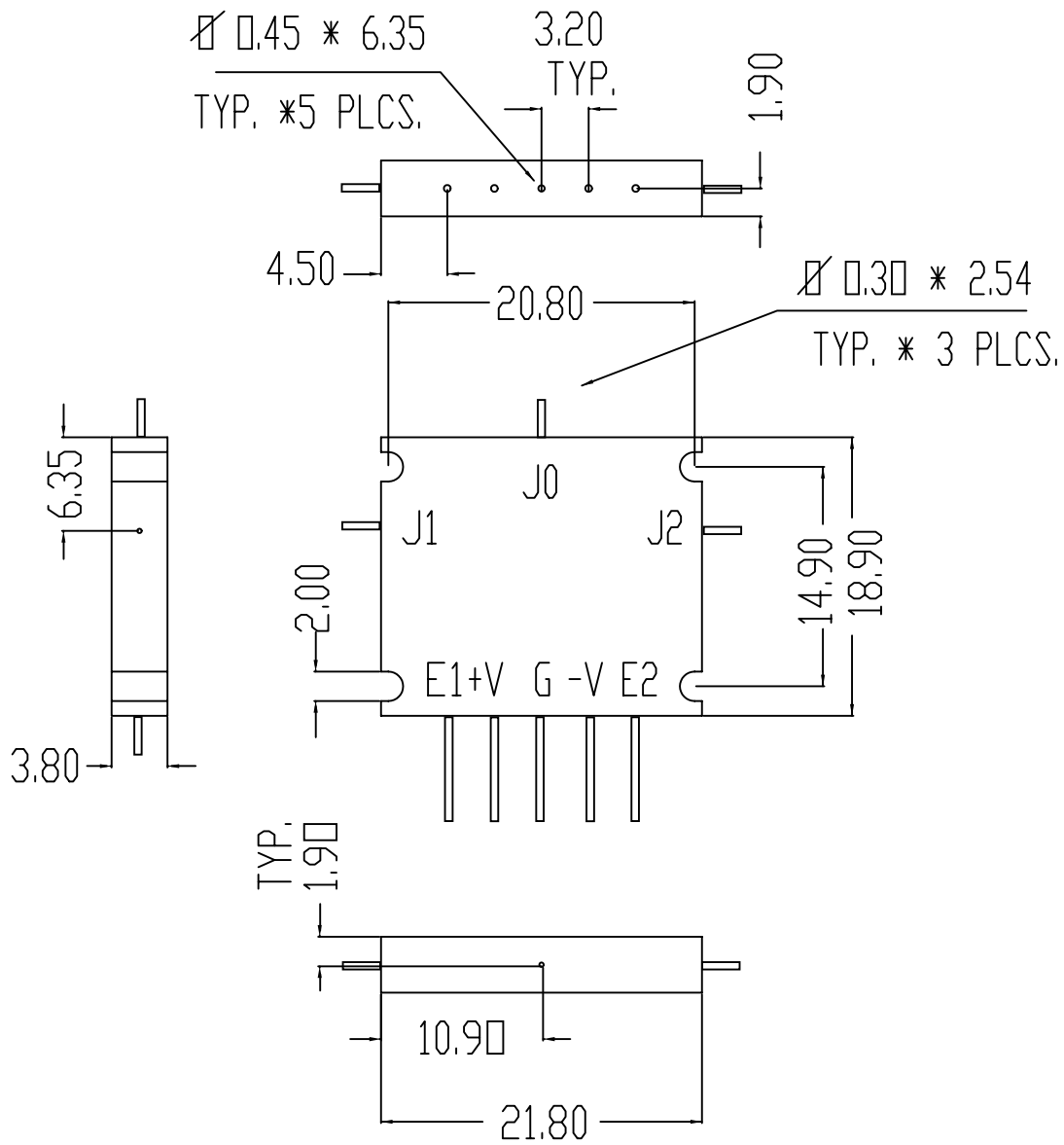


GENERAL TOLERANCE \pm 0.5

MARKING -WHITE

NEXT ASSEMBLY		FINISH	BLACK EPOXY	NAME	DATE
		PLATING PER		DRAWN	R.Z
		PAINTING PER		ENG APP'D	M.D
		MATERIAL	AL-6061-T6	QA. APP'D	M.C
		SUREFACE FINISH			
		GENERAL TOLERANCES		TITLE	
DIM	MM/INCH	* \pm .10 / .010"		SPDT SWITCH P.C 401	
SCALE		.XX \pm .05 / .005"			
		.XXX \pm .025 / .002"			
EYAL MICROWAVE INDUSTRY			DRAWING NO.	R-10	REV.

REV	DESCRIPTION	NAME	DATE
INIT.		M.D	5/5/94

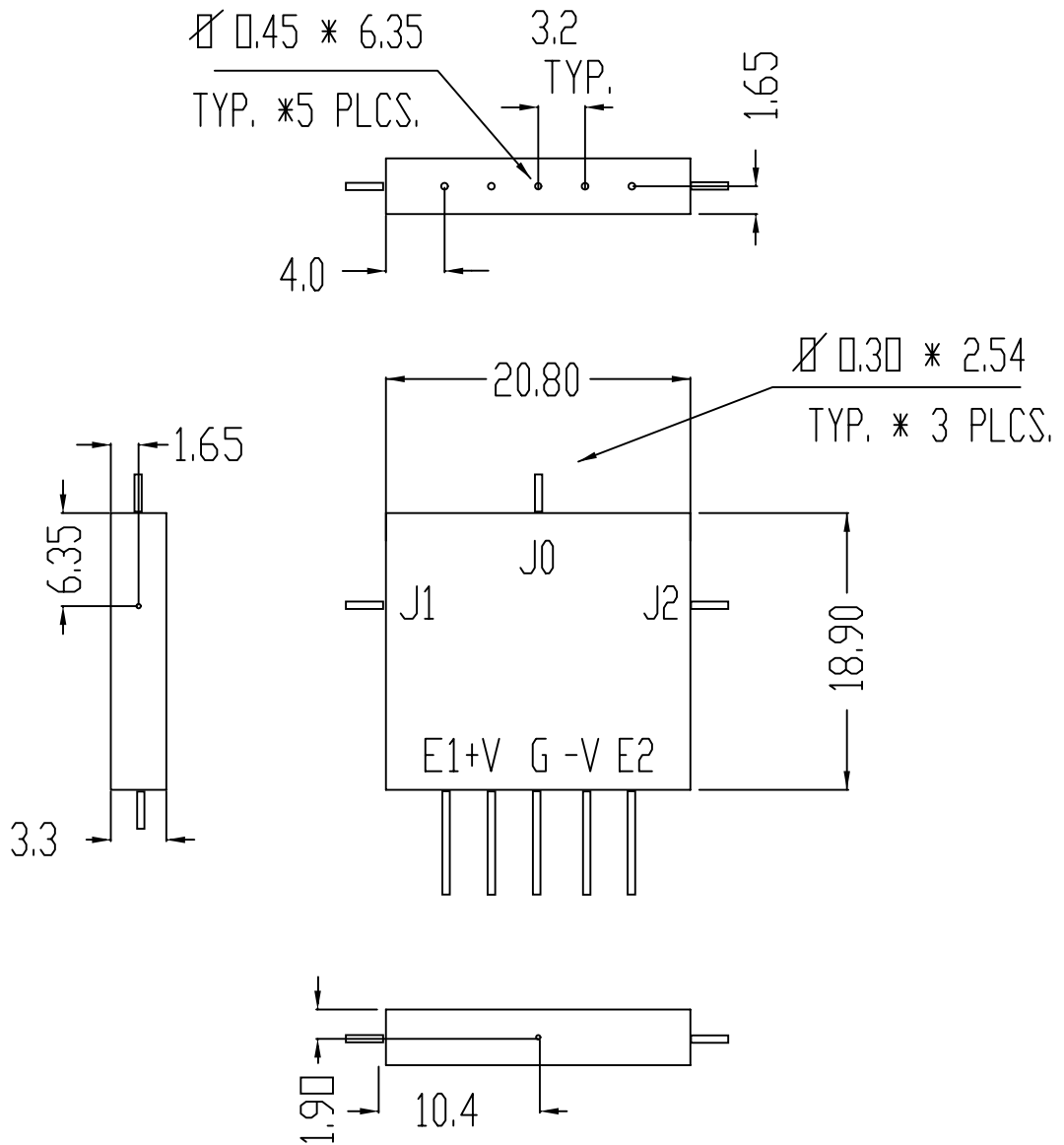


MARKING BLACK

GENERAL TOLERANCE ± 0.3

NEXT ASSEMBLY		FINISH	GOLD	NAME	DATE
		PLATING PER		M.D	5/5/94
		PAINTING PER		A.C	5/5/94
		MATERIAL	AL-6061-T6	M.C	5/5/94
		SUREFACE FINISH			
		GENERAL TOLERANCES		TITLE	
DIM	MM/INCH	.* $\pm .10 / .010$ "		DROP-IN SPDT SWITCH	
SCALE		.XX $\pm .05 / .005$ "		P.C 301-2	
		.XXX $\pm .025 / .002$ "		DRAWING NO. R-16	
EYAL MICROWAVE INDUSTRY				REV.	

REV	DESCRIPTION	NAME	DATE
INIT.		M.D	14/8/94



GENERAL TOLERANCE ± 0.3

MARKING - BLACK

NEXT ASSEMBLY		FINISH	GOLD	NAME	DATE
		PLATING PER	MIL-G-45204	M.D	14/8/94
		PAINTING PER		A.C	14/8/94
		MATERIAL	AL-6061-T6	M.C	14/8/94
		SUREFACE FINISH			
		GENERAL TOLERANCES		TITLE	
DIM	MM/INCH	.X $\pm .10 / .010$ "		DROP-IN SPDT SWITCH	
		.XX $\pm .05 / .005$ "		P.C 301	
SCALE		.XXX $\pm .025 / .002$ "			
EYAL MICROWAVE INDUSTRY				DRAWING NO.	R-20
				REV.	