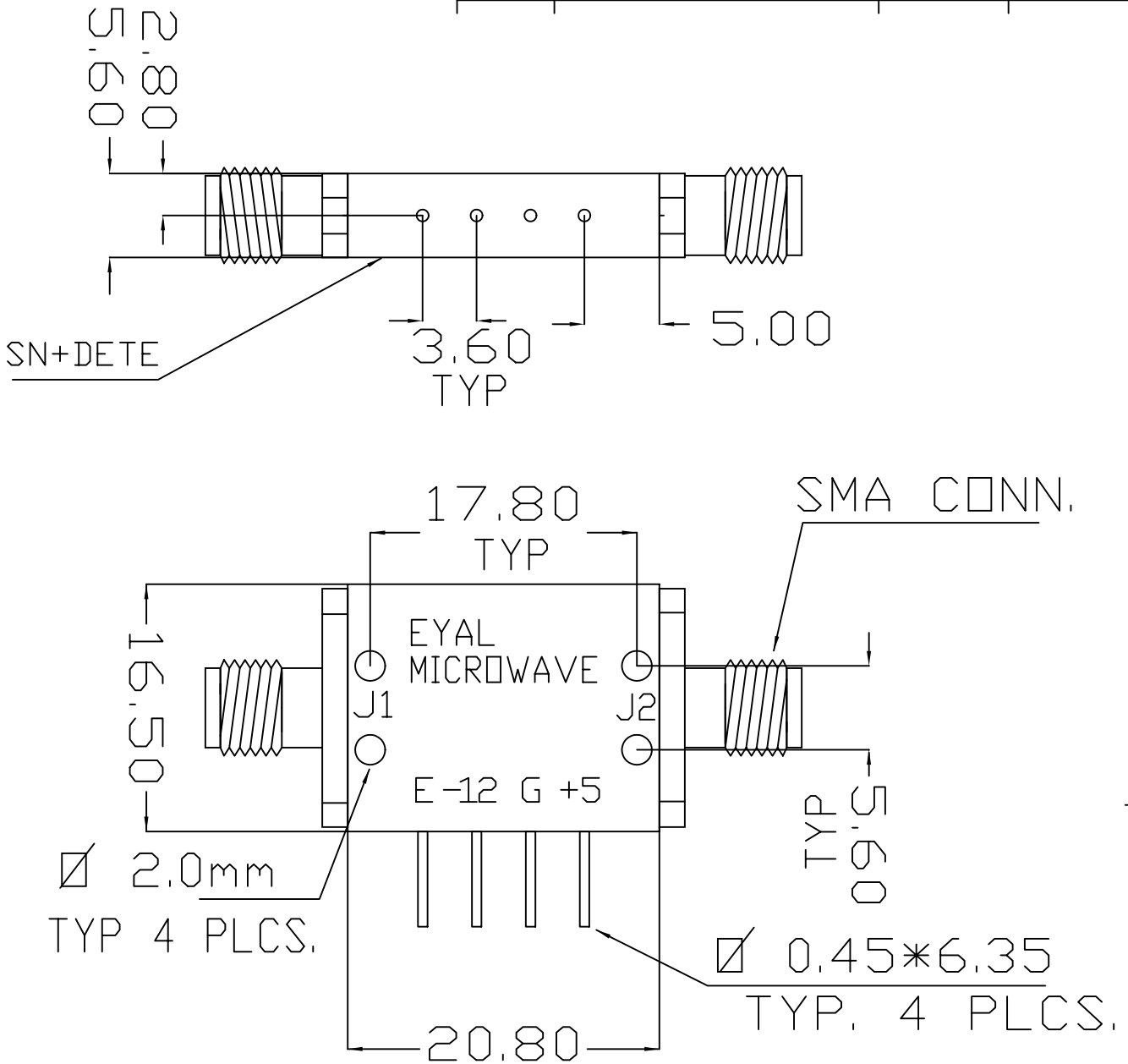


REV	DESCRIPTION	NAME	DATE
	INIT.	R.M	12/94

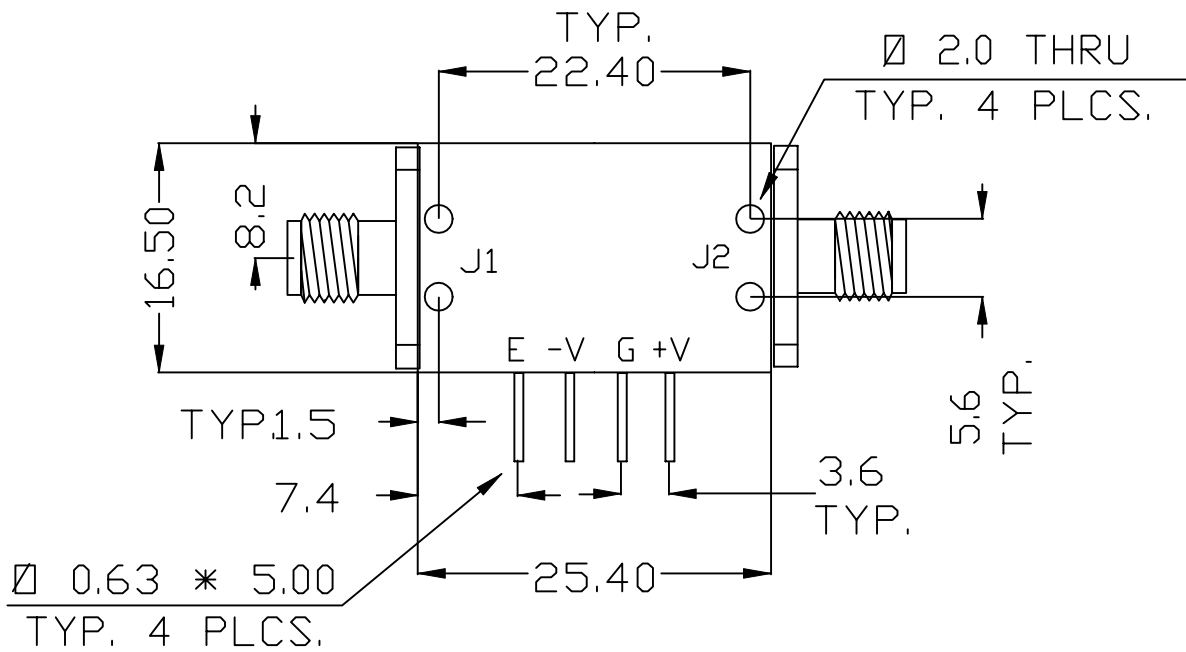
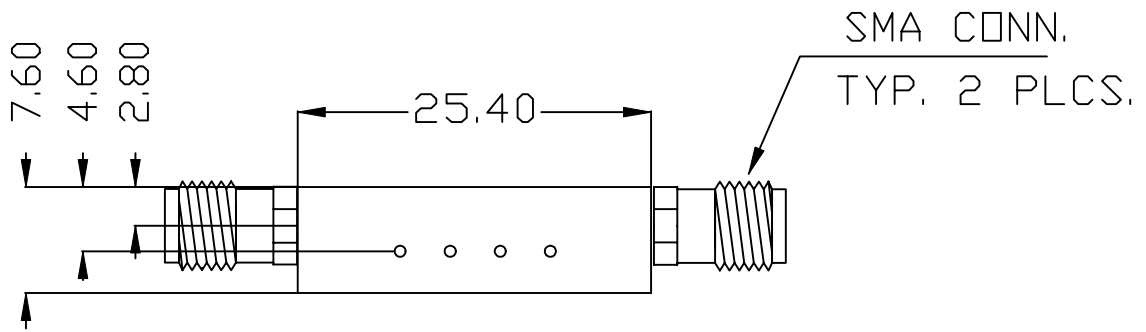


MARKING - BLACK

GENERAL TOLERANCE: ± 0.3

NEXT ASSEMBLY		FINISH	GOLD	NAME	DATE
		PLATING PER		DRAWN	R.M 12/94
		PAINTING PER		ENG APP'D	A.C 12/94
		MATERIAL	AL-6061-T6	QA. APP'D	M.C 12/94
		SUREFACE FINISH			
		GENERAL TOLERANCES		TITLE	
DIM	MM/INCH	.X $\pm .10 / .010$ "		SPST	
SCALE		.XX $\pm .05 / .005$ "		P.C.200	
		.XXX $\pm .025 / .002$ "		DRAWING NO. R-52	
EYAL MICROWAVE INDUSTRY			REV.		

REV	DESCRIPTION	NAME	DATE
	INIT.	M.D	25/8/94

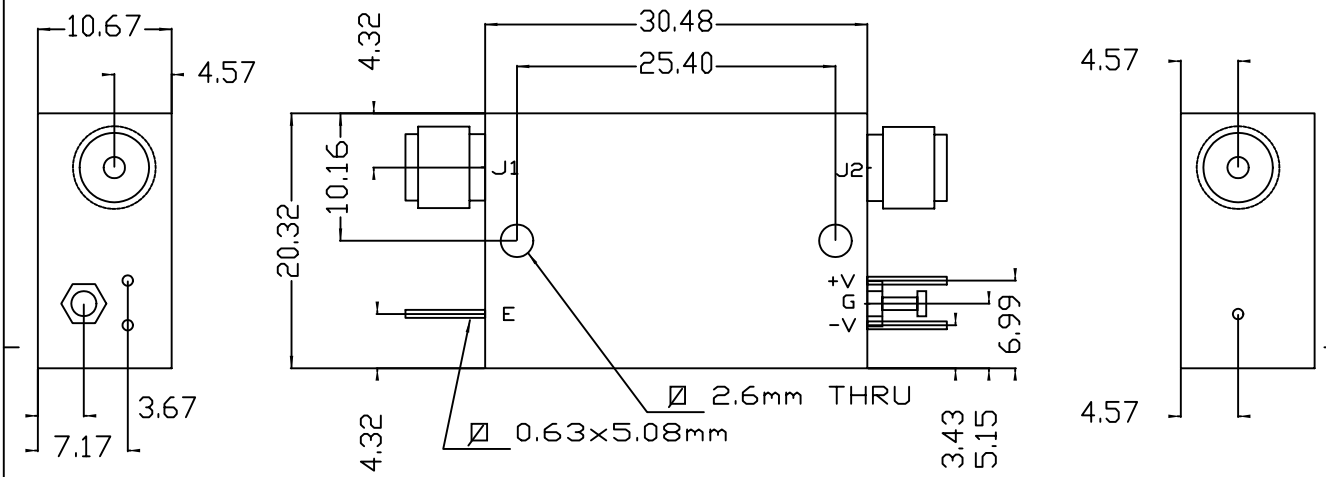


MARKING - WHITE

GENERAL TOLERANCE ± 0.5

NEXT ASSEMBLY		FINISH	BLACK EPOXY	NAME	DATE
		PLATING PER		DRAWN	M.D 25/8/94
		PAINTING PER		ENG APP'D	A.C 25/8/94
		MATERIAL	AL 6061-T6	QA. APP'D	M.C 25/8/94
		SUREFACE FINISH			
		GENERAL TOLERANCES		TITLE	
DIM	MM/INCH	.X $\pm .10 / .010''$		SPST HISO PC : 500-2	
		.XX $\pm .05 / .005''$			
		.XXX $\pm .025 / .002''$			
SCALE				DRAWING NO.	R-24
EYAL MICROWAVE INDUSTRY				REV.	

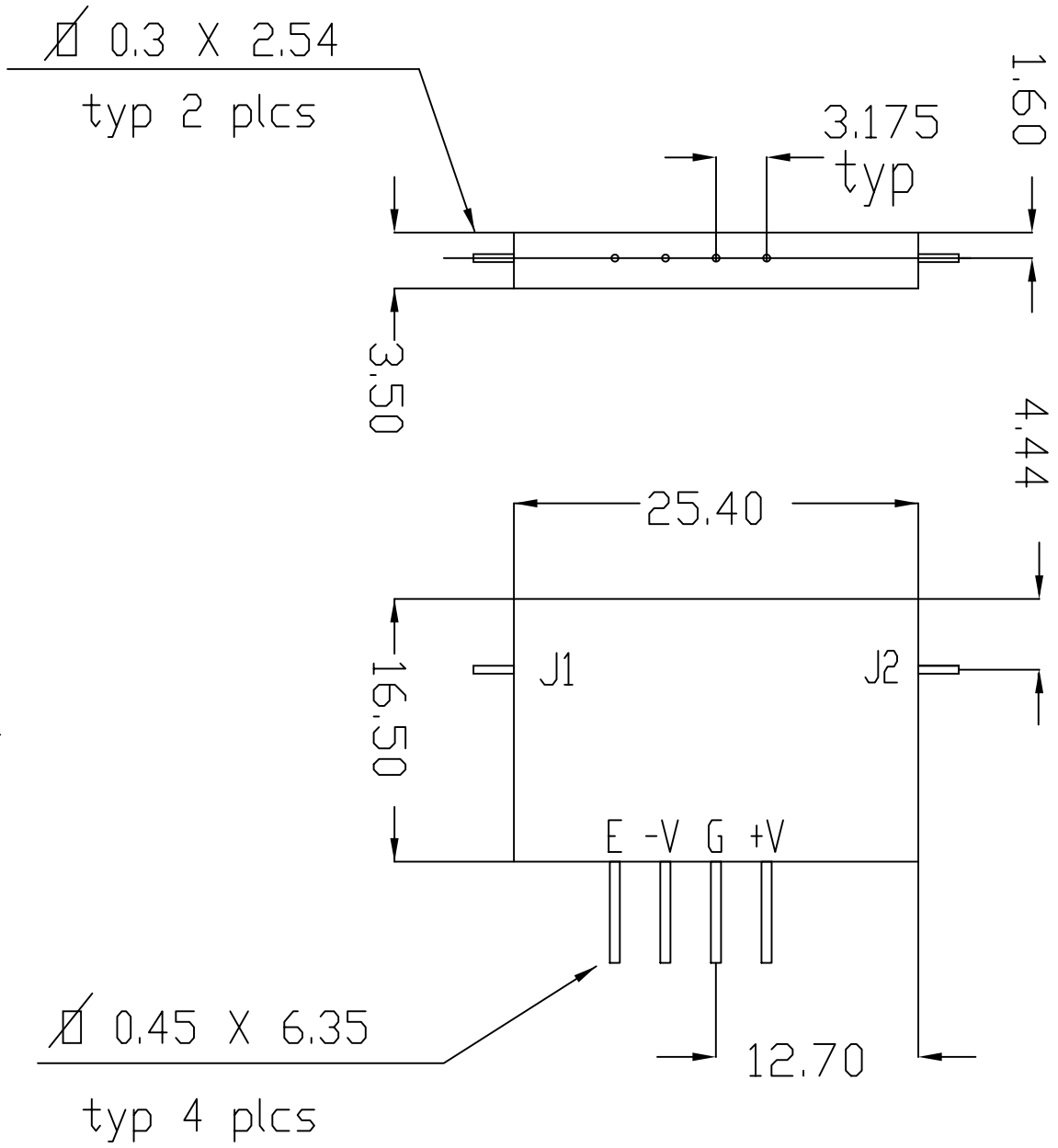
REV	DESCRIPTION	NAME	DATE
---	INIT	R.M	19/1/95



EYAL MICROWAVE
IND
.....????? ???e?
.....????? ???e?

NEXT ASSEMBLY		FINISH		NAME	DATE
		PLATING PER		R.M	19/1/95
		PAINTING PER		F.D	19/1/95
		MATERIAL	AL-6061-T6	M.C	
		SUREFACE FINISH			
		GENERAL TOLERANCES	TITLE		
DIM	MM/INCH	.X ±.10 / .010"	OUTLINE FOR		
		.XX ±.05 / .005"	SPST P.C.400		
SCALE		.XXX ±.025 / .002"	DRAWING NO.		REV.
EYAL MICROWAVE INDUSTRY					

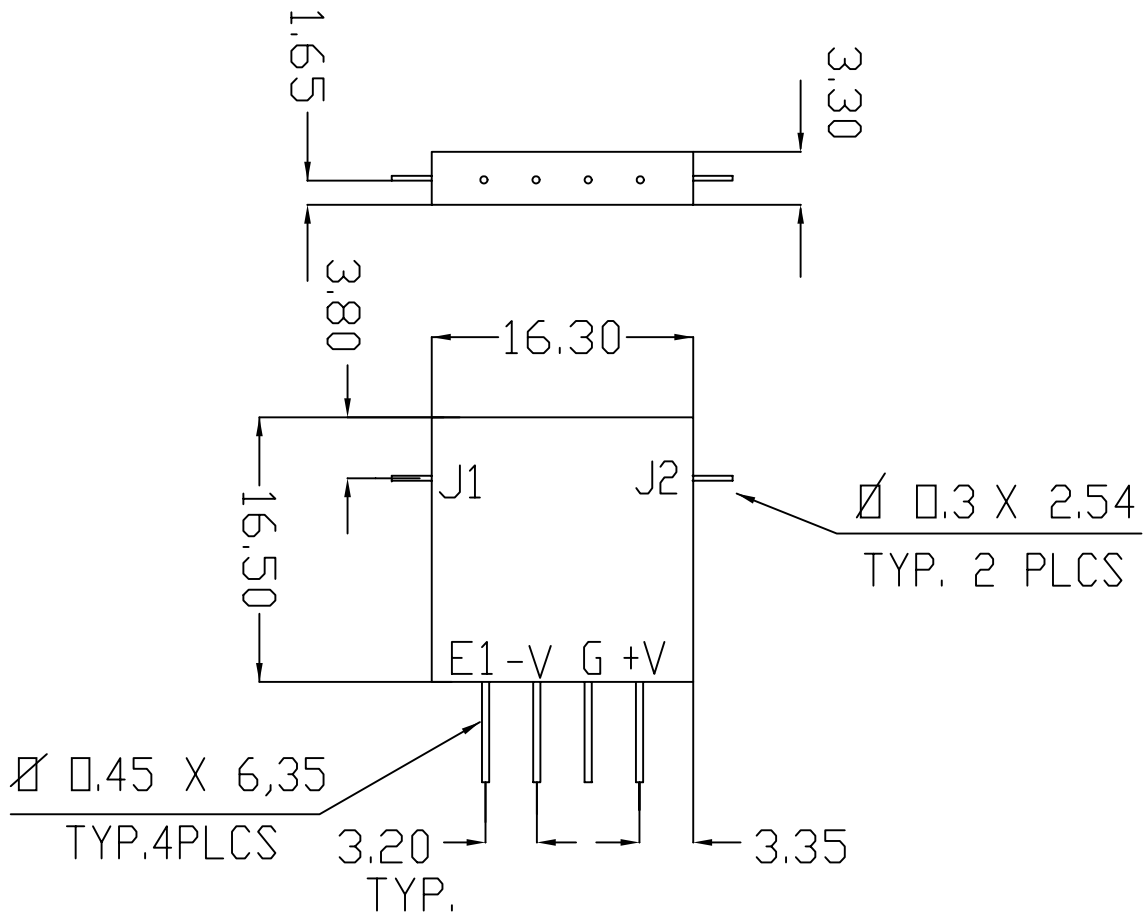
REV	DESCRIPTION	NAME	DATE



MARKING BLACK
 GENERAL TOLERANCE ± 0.3

NEXT ASSEMBLY		FINISH	GOLD	NAME	DATE
		PLATING PER		DRAWN	R.C 14/8/95
		PAINTING PER		ENG APP'D	A.C 14/8/95
		MATERIAL	AL-6061-T6	QA. APP'D	M.C 14/8/95
		SUREFACE FINISH			
		GENERAL TOLERANCES		TITLE	
DIM	MM/INCH	.X $\pm .10 / .010$ "		SPST SWITCH	
		.XX $\pm .05 / .005$ "		P.C. 300/2	
SCALE		.XXX $\pm .025 / .002$ "			
EYAL MICROWAVE INDUSTRY				DRAWING NO.	R-72
				REV.	

REV	DESCRIPTION	NAME	DATE
	INIT.	M.D	8/94



GENERAL TOLERANCE ± 0.3

MARKING - BLACK

NEXT ASSEMBLY		FINISH	GOLD	NAME	DATE
		PLATING PER		DRAWN	M.D 8/94
		PAINTING PER		ENG APP'D	A.C 8/94
		MATERIAL	AL-6061-T6	QA. APP'D	M.C 8/94
		SUREFACE FINISH			
		GENERAL TOLERANCES		TITLE	
DIM	MM/INCH	.X $\pm .10 / .010"$		SPST	
		.XX $\pm .05 / .005"$		P.C 300-1	
SCALE		.XXX $\pm .025 / .002"$			
EYAL MICROWAVE INDUSTRY				DRAWING NO.	R-13
				REV.	

