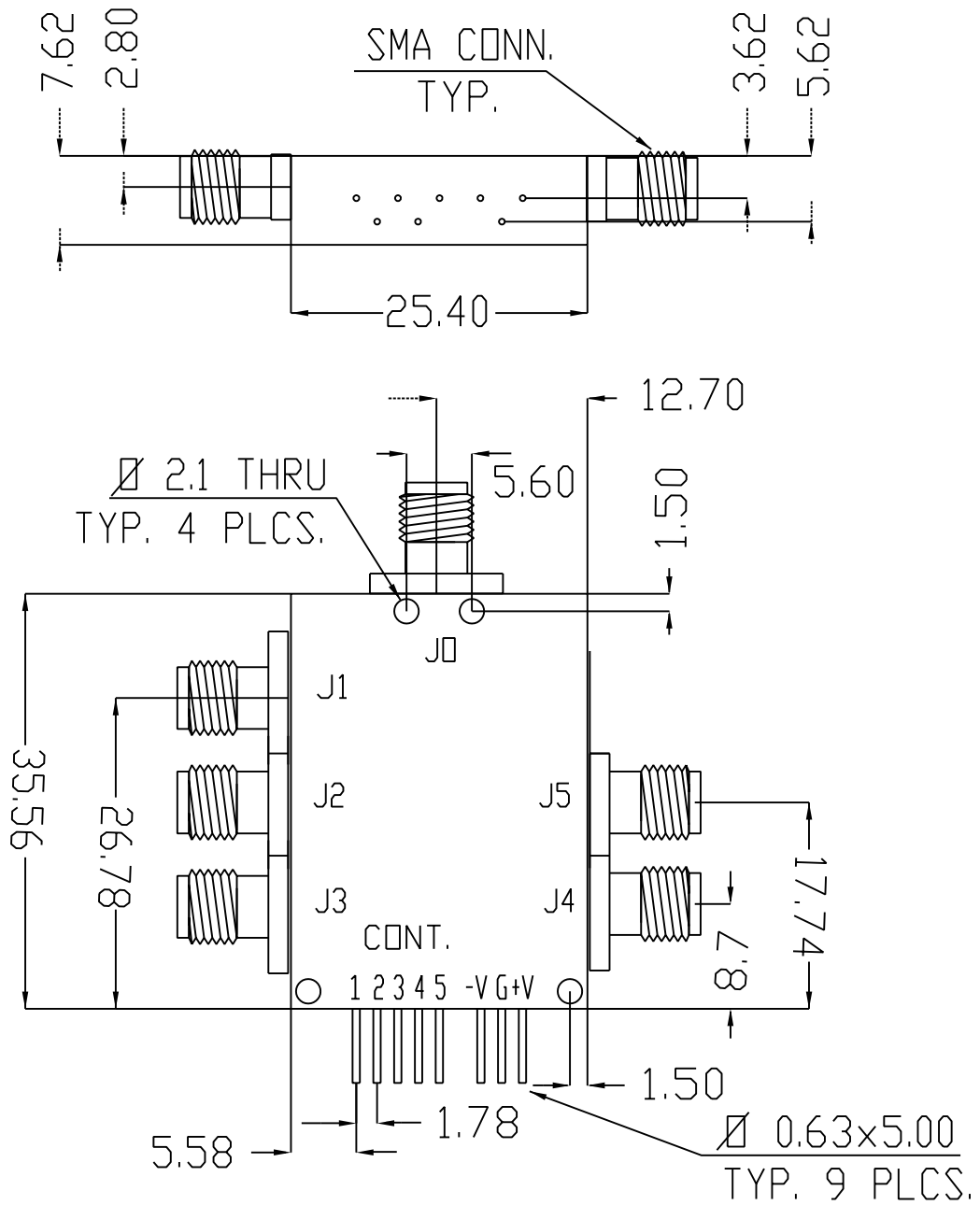


REV	DESCRIPTION	NAME	DATE
INIT.		M.D	15/8/94



GENERAL TOLERANCE ± 0.5

MARKING - WHITE

NEXT ASSEMBLY		FINISH	BLACK EPOXY	NAME	DATE
		PLATING PER		DRAWN	15/8/94
		PAINTING PER		ENG APP'D	15/8/94
		MATERIAL	AL-6061-T6	QA. APP'D	15/8/94
		SUREFACE FINISH			
		GENERAL TOLERANCES		TITLE	
DIM	MM/INCH	.X $\pm .10 / .010$ "		SP5T SWITCH	
SCALE		.XX $\pm .05 / .005$ "		P.C 504	
		.XXX $\pm .025 / .002$ "		DRAWING NO.	R-12
EYAL MICROWAVE INDUSTRY				REV.	