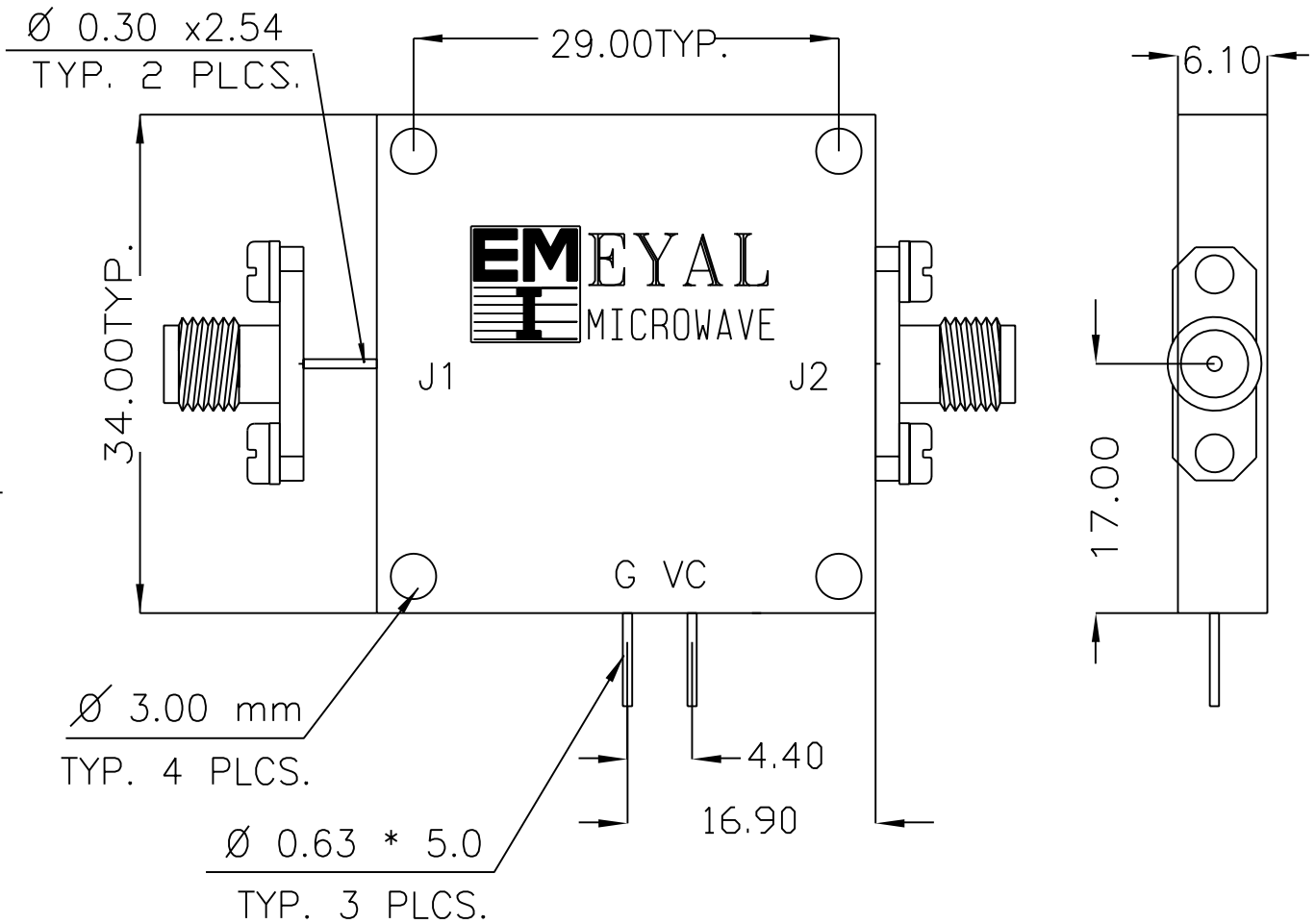
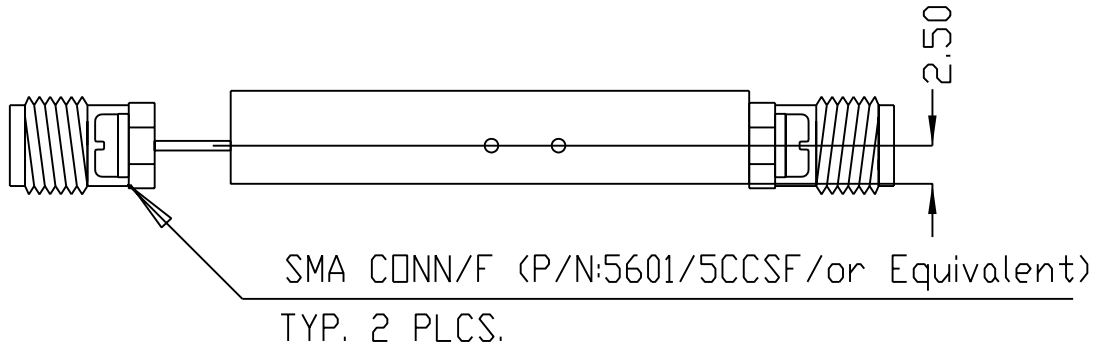


REV	DESCRIPTION	NAME	DATE
	INIT	E.V.	11.08.03

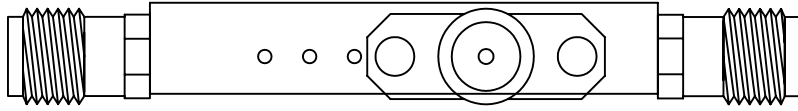


MARKING - WHITE

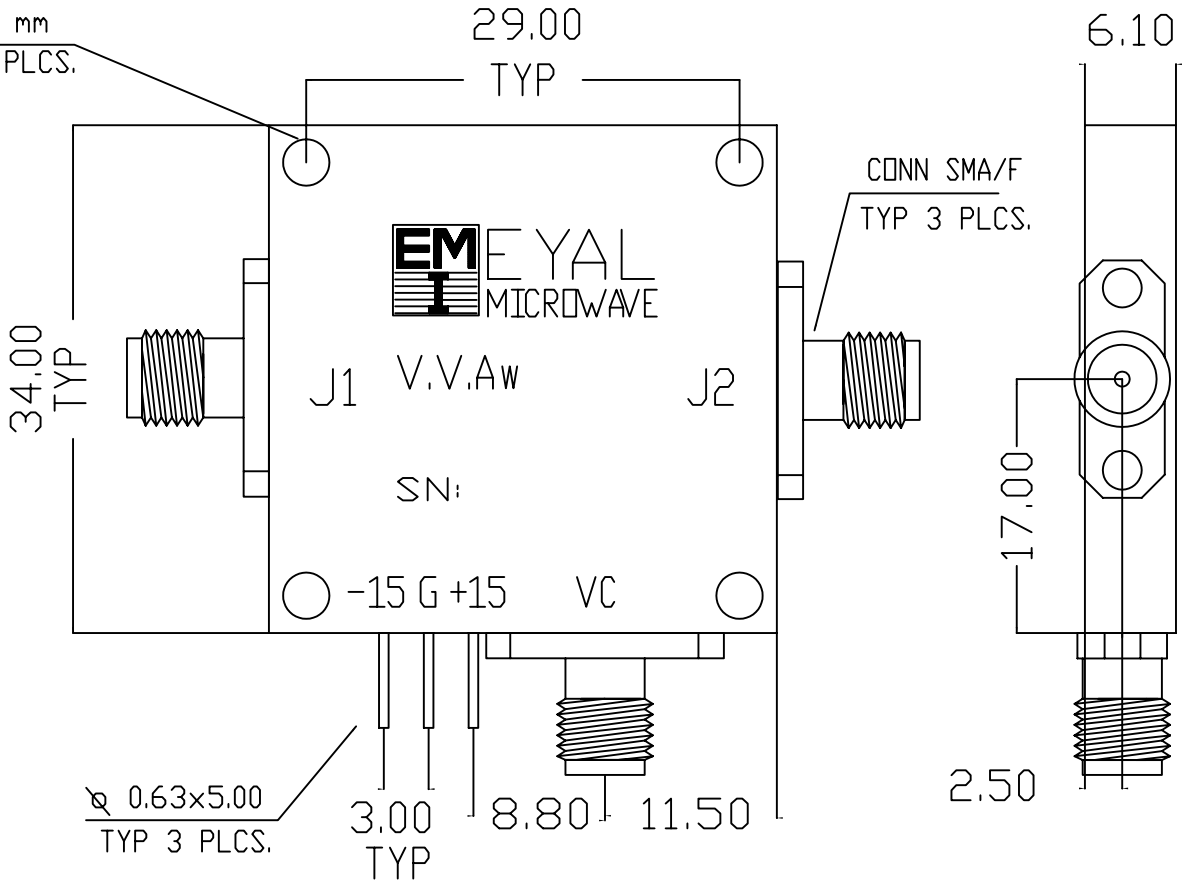
GENERAL TOLERANCE: ± 0.5

NEXT ASSEMBLY		FINISH	BLACK EPOXY	NAME	DATE
		PLATING PER		E.V.	11.08.03
		PAINTING PER		A.C	11.08.03
		MATERIAL	AL-6061-T6	M.C	11.08.03
		SUREFACE FINISH			
		GENERAL TOLERANCES		TITLE	
DIM	MM/INCH-	.X $\pm .10 / -.010$ "		OUTLINE FOR	
SCALE		.XX $\pm .05 / -.005$ "		V.V.A	
		.XXX $\pm .025 / -.002$ "		DRAWING NO. VV2 -D	
EYAL MICROWAVE INDUSTRY				REV.	

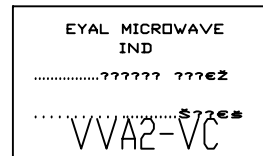
REV	DESCRIPTION	NAME	DATE
	INIT	M.D	11/8/97



□ 3.0 mm
TYP 4 PLCS.

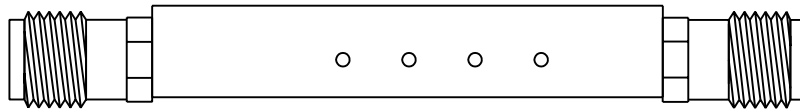


GENERAL TOLERANCE: ± 0.5

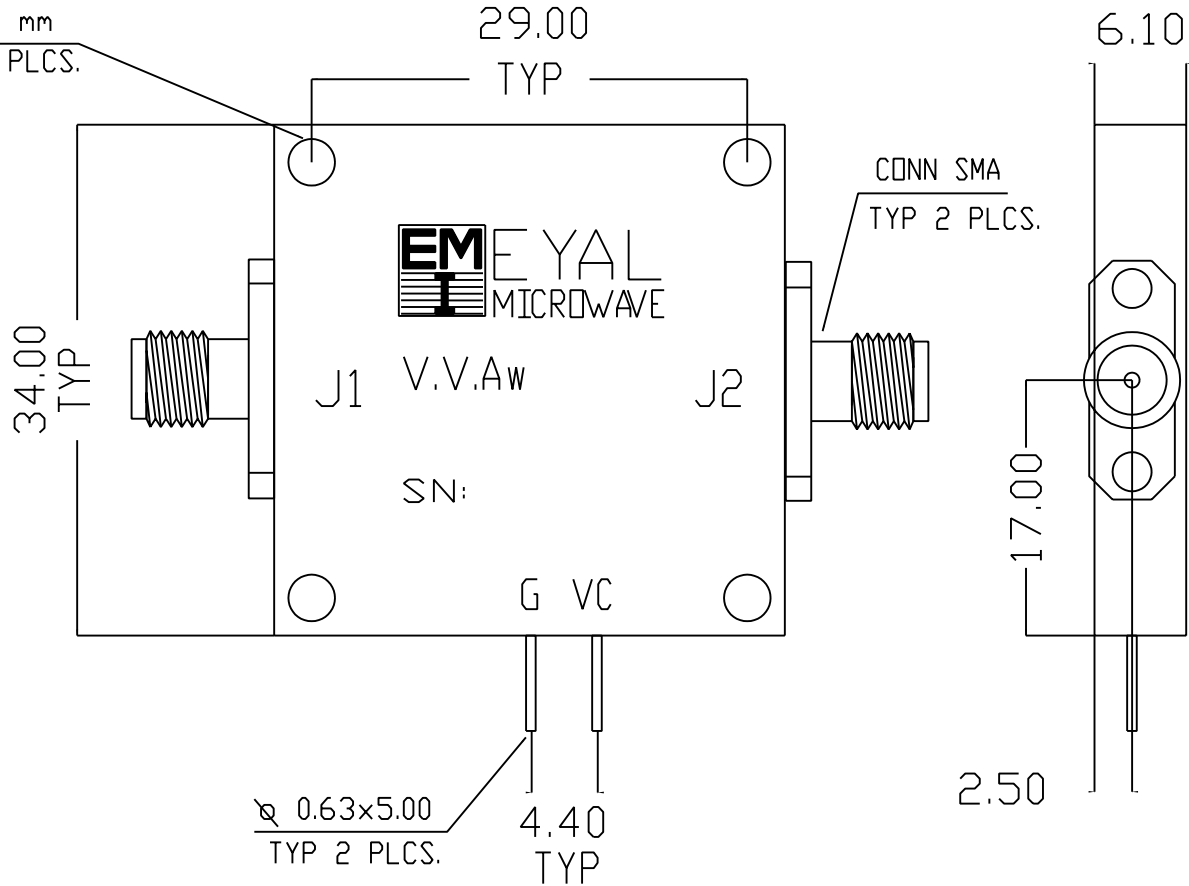


NEXT ASSEMBLY		FINISH	BLACK EPOXY	NAME	DATE
		PLATING PER		M.D	01/06/04
		PAINING PER		A.C	01/06/04
		MATERIAL	AL-6061-T6	M.C	01/06/04
		SUREFACE FINISH			
		MARKING - WHITE		TITLE	
DIM	MM/INCH			OUTLINE FOR	
SCALE				V.V.Aw P.C VV2	
EYAL MICROWAVE INDUSTRY			DRAWING NO.	VVA2-VC	REV.

REV	DESCRIPTION	NAME	DATE
	INIT	M.D	11/8/97

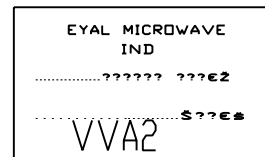


□ 3.0 mm
TYP 4 PLCS.



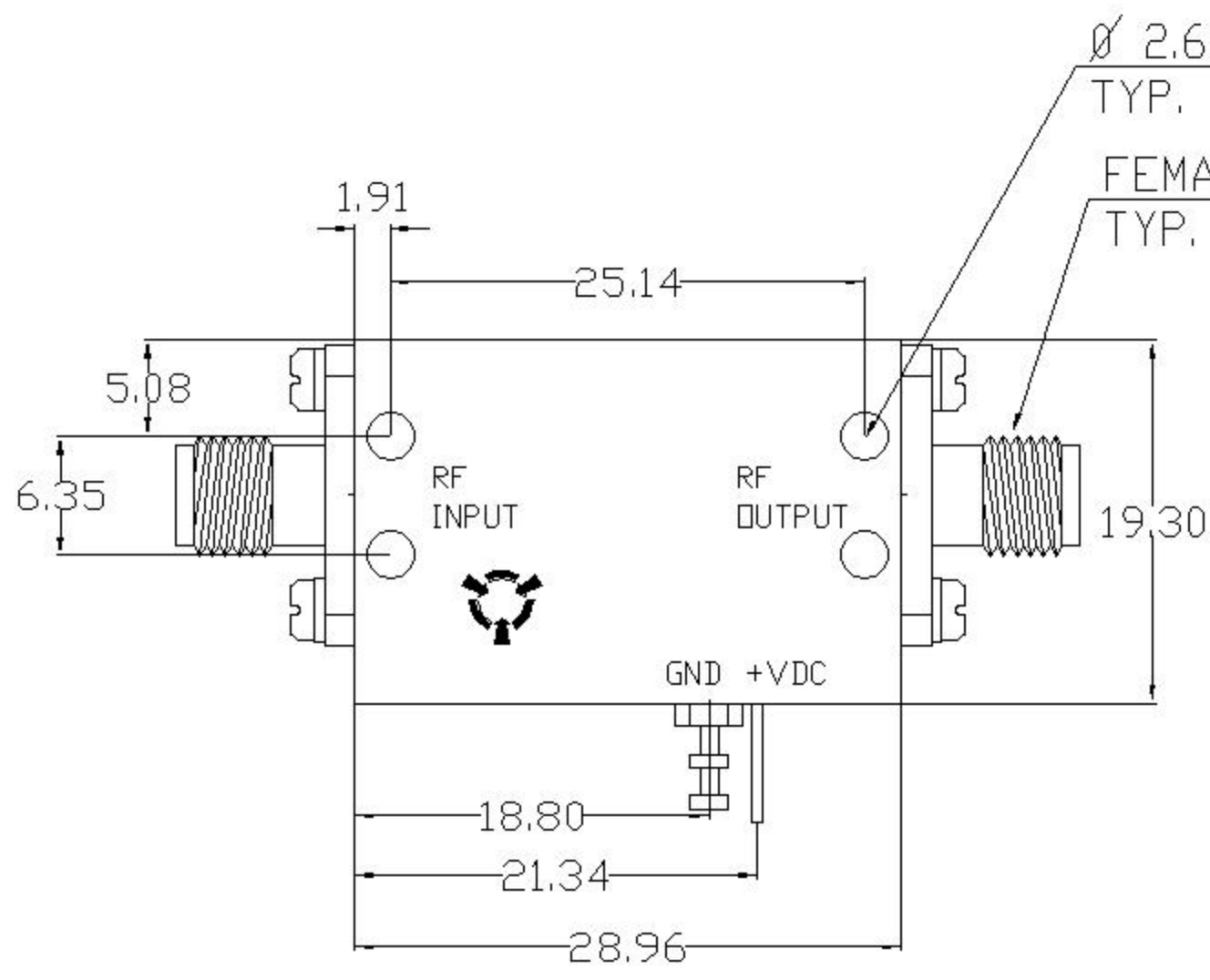
MARKING - WHITE

GENERAL TOLERANCE: ± 0.5

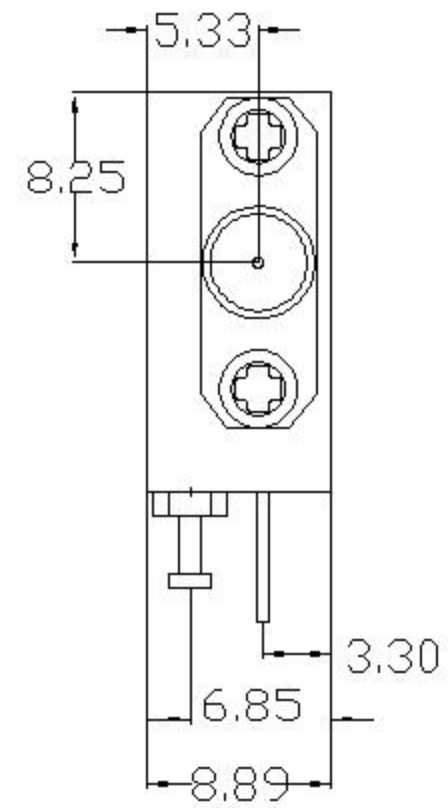


NEXT ASSEMBLY		FINISH	BLACK EPOXY	NAME	DATE
		PLATING PER		M.D	11/8/97
		PAINTING PER		A.C	11/8/97
		MATERIAL	AL-6061-T6	M.C	11/8/97
		SUREFACE FINISH			
		GENERAL TOLERANCES		TITLE	
DIM	MM/INCH	.X $\pm .10 / .010$ "		OUTLINE FOR V.V.Aw P.C VV2	
		.XX $\pm .05 / .005$ "			
		.XXX $\pm .025 / .002$ "			
SCALE				DRAWING NO.	REV.
EYAL MICROWAVE INDUSTRY					

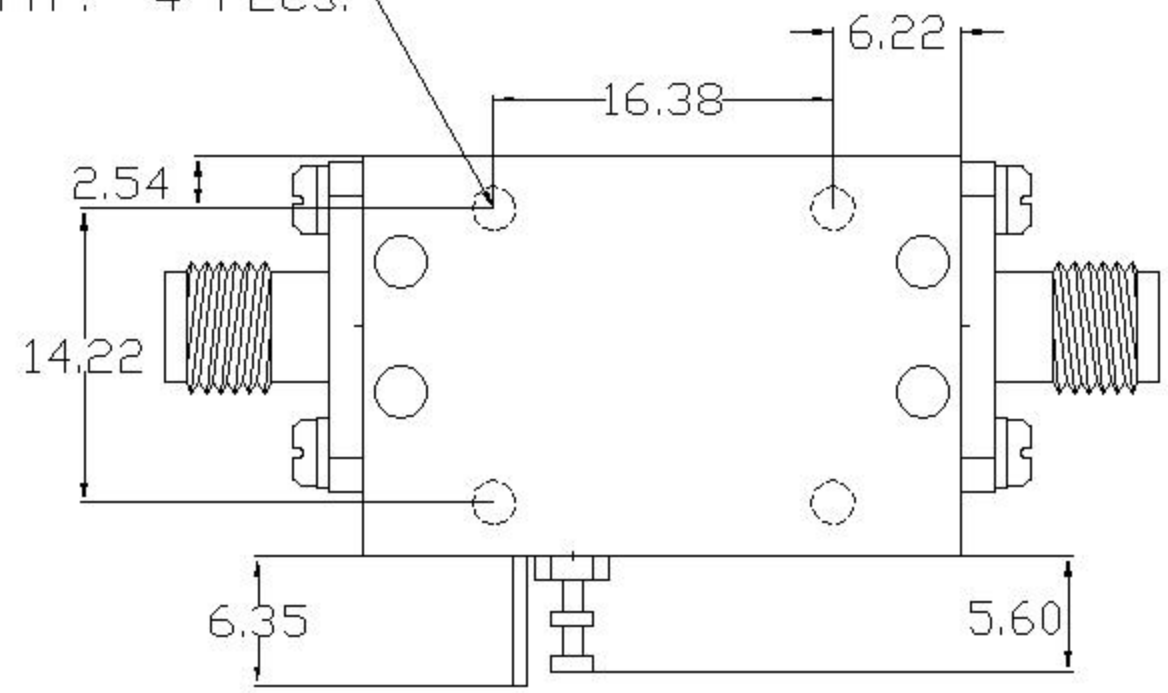
REV	DESCRIPTION	NAME	DATE
---	INIT	M.D	12/08/04



Ø 2.60 ±.10 THRU.
TYP. 4 PLCS.
FEMALE SMA
TYP. 2 PLCS.



0.086 -UNC-2B
x 2.29 mm THD. DEEP
TYP. 4 PLCS.



EYAL MICROWAVE
IND
Printed By
Signature
Date
SK-5904

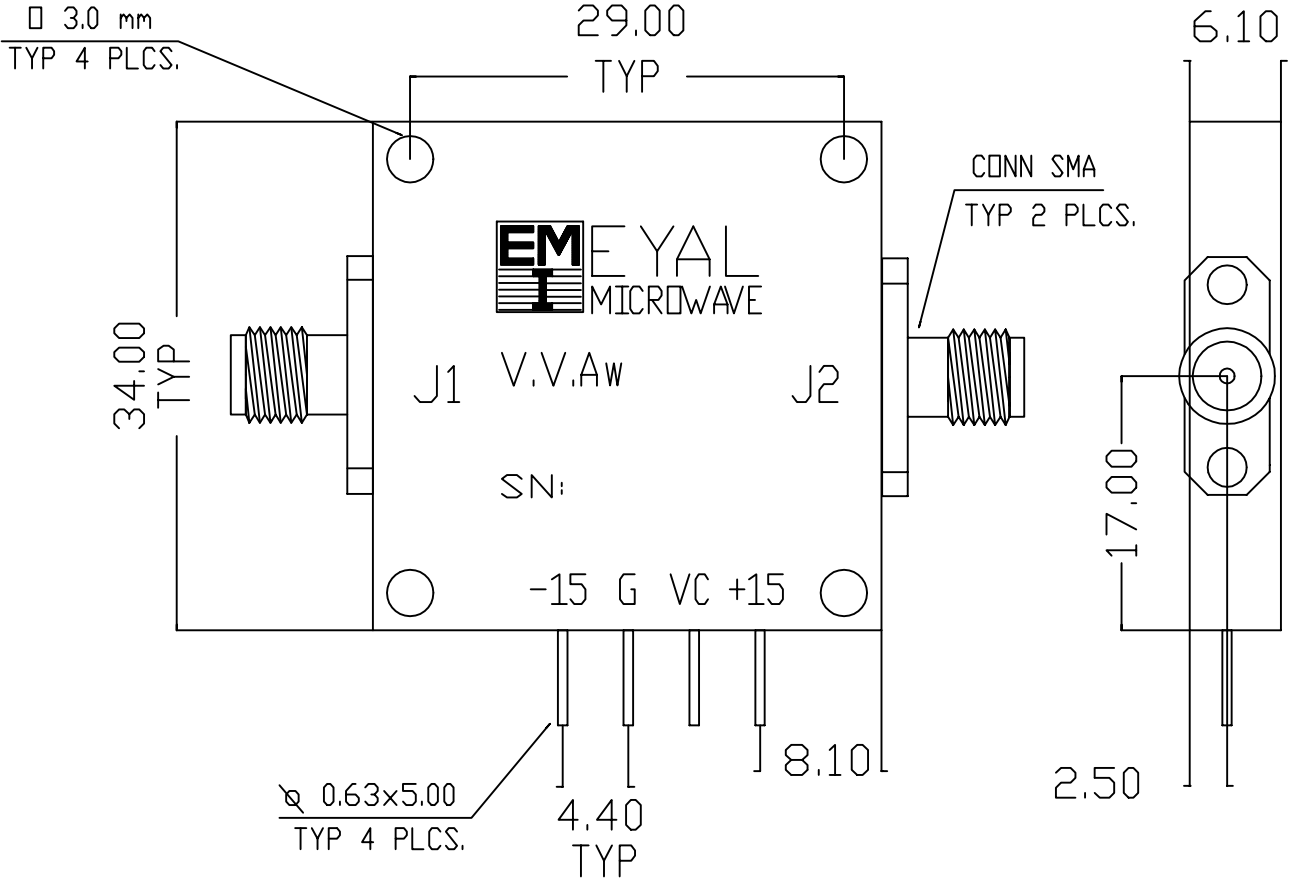
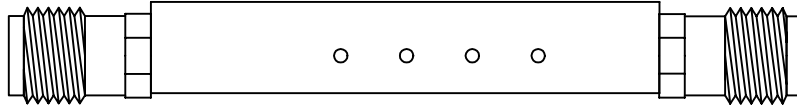
FINISH	GOLD		NAME	DATE
PLATING PER		DRAWN	M.D	12/08/04
PAINTING PER		ENG APP'D	A.C	12/08/04
MATERIAL	AL-6061-T6	QA. APP'D	M.C	12/08/04
SUREFACE FINISH	√ ⁶³			

DIM	MM
SCALE	

GENERAL TOLERANCES ±.30
BETWEEN HOLES ±.10

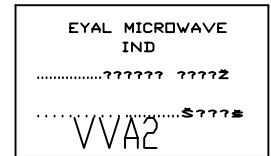
TITLE
OUTLINE FOR VVA


REV	DESCRIPTION	NAME	DATE
	INIT	M.D	11/8/97



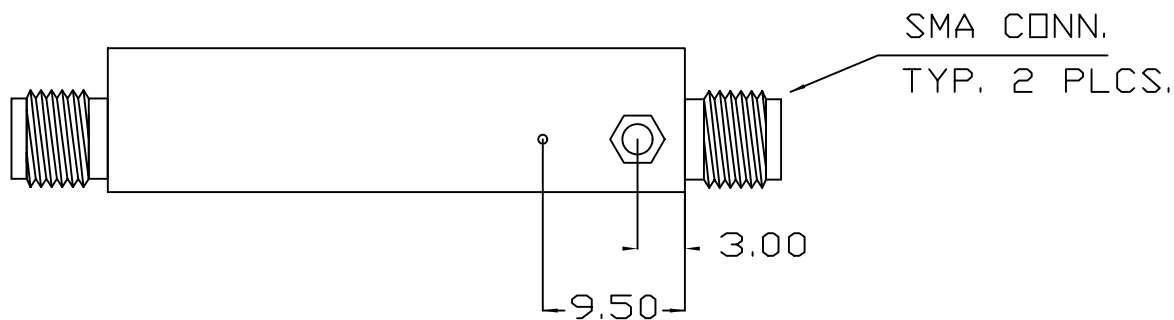
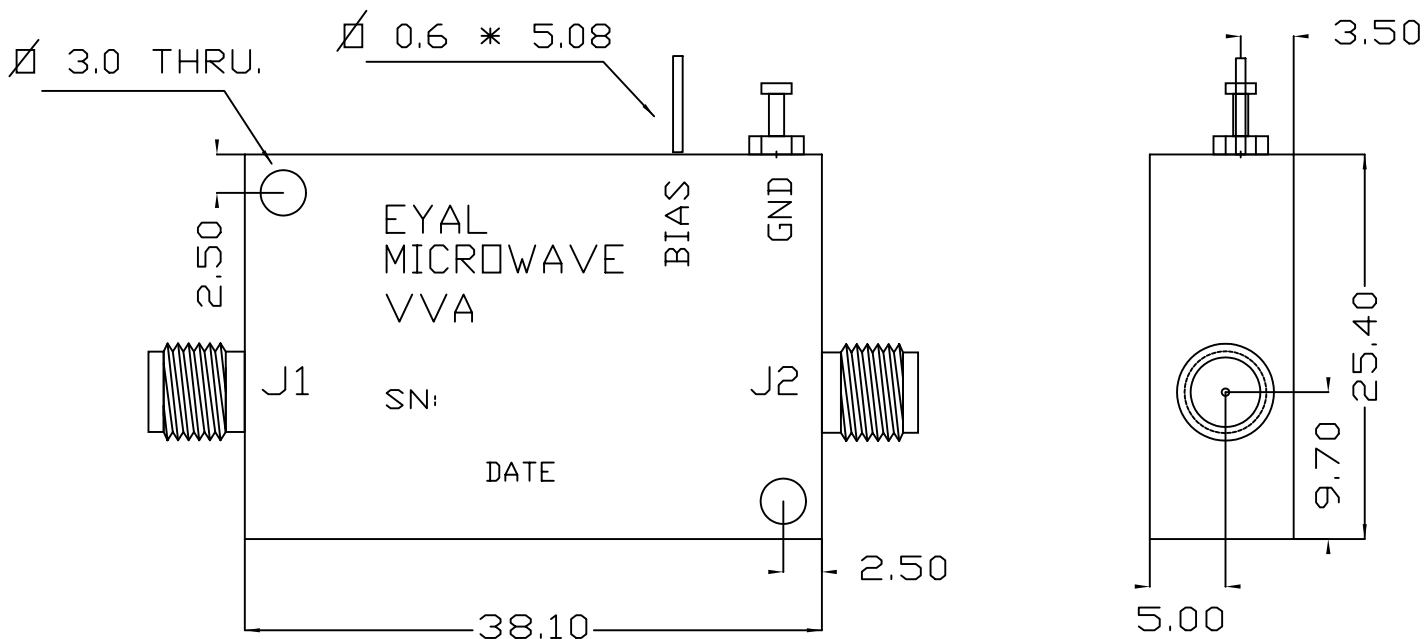
MARKING - WHITE

GENERAL TOLERANCE: ± 0.5



NEXT ASSEMBLY		FINISH	BLACK EPOXY	NAME	DATE
		PLATING PER		M.D	11/8/97
		PAINTING PER		A.C	11/8/97
		MATERIAL	AL-6061-T6	M.C	11/8/97
		SUREFACE FINISH			
		GENERAL TOLERANCES	TITLE  OUTLINE FOR V.V.Aw P.C VV2		
DIM	MM/INCH	.X $\pm .10 / .010$ "			
SCALE		.XX $\pm .05 / .005$ " .XXX $\pm .025 / .002$ "			
EYAL MICROWAVE INDUSTRY			DRAWING NO.	REV.	

REV	DESCRIPTION	NAME	DATE
	INIT.	M.D	12/2/96



MARKING : WHITE

GENERAL TOLERANCE : ± 0.5

EYAL MICROWAVE
IND
.....?????? ????e?
.....????e?

NEXT ASSEMBLY		FINISH	BLACK EPOXY	NAME	DATE
		PLATING PER		DRAWN	M.D 12/2/96
		PAINTING PER		ENG APP'D	A.C 12/2/96
		MATERIAL	AL-6061-T6	QA, APP'D	M.C 12/2/96
		SUREFACE FINISH			
		GENERAL TOLERANCES		TITLE	
DIM	MM/INCH	.X $\pm .10 / .010$ "		V.V.A	
		.XX $\pm .05 / .005$ "		P.C VVA1	
SCALE		.XXX $\pm .025 / .002$ "			
EYAL MICROWAVE INDUSTRY			DRAWING NO.		REV.