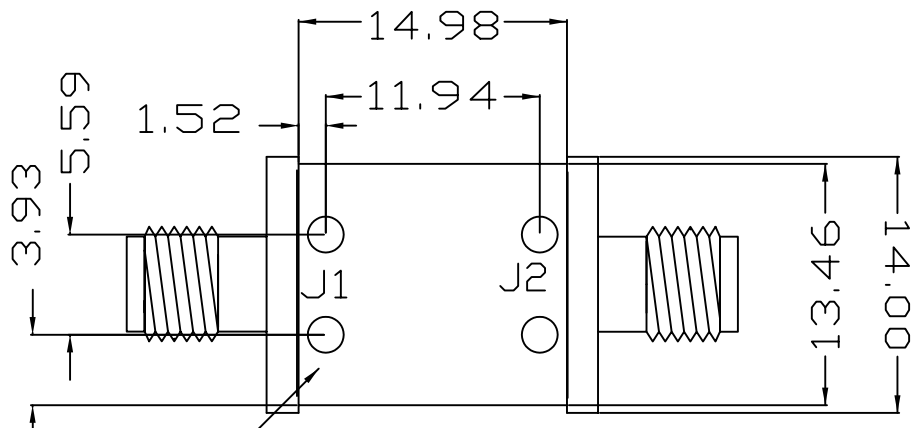
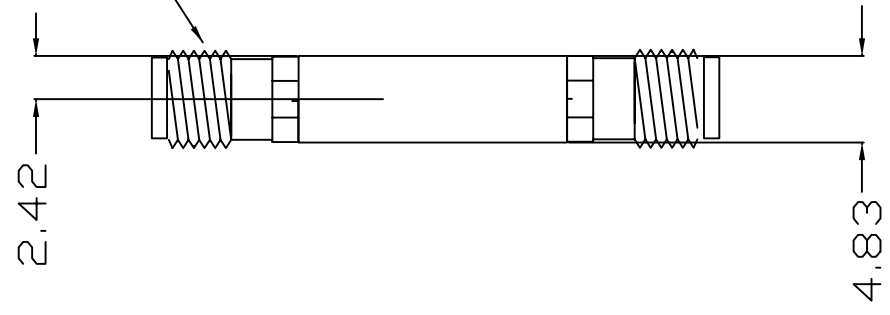


REV	DESCRIPTION	NAME	DATE
	INIT.	A.C	27/11/94

RF PIN:  $\varnothing$  0.3mm  
SMA MALE/FEMALE



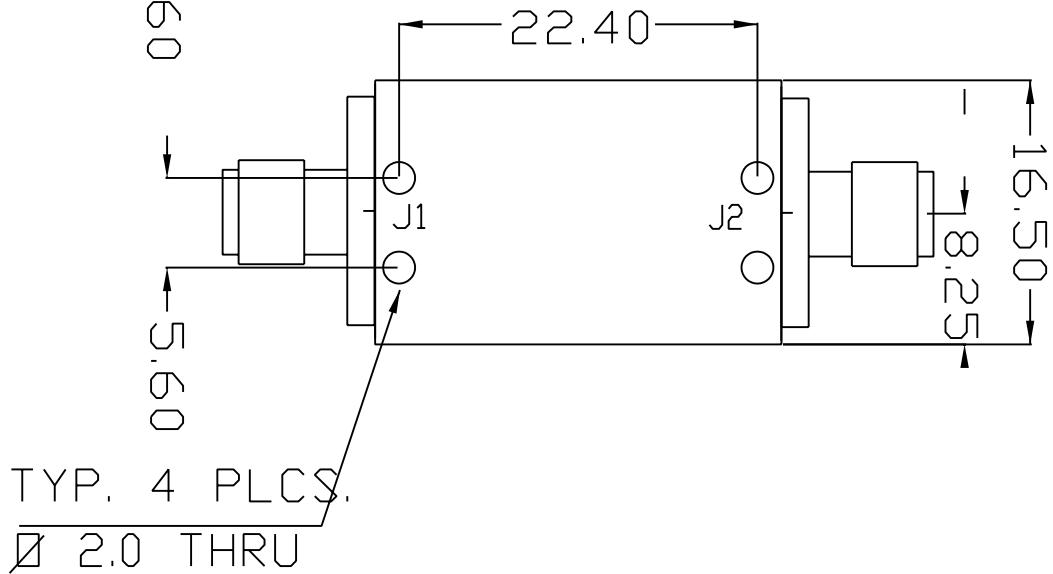
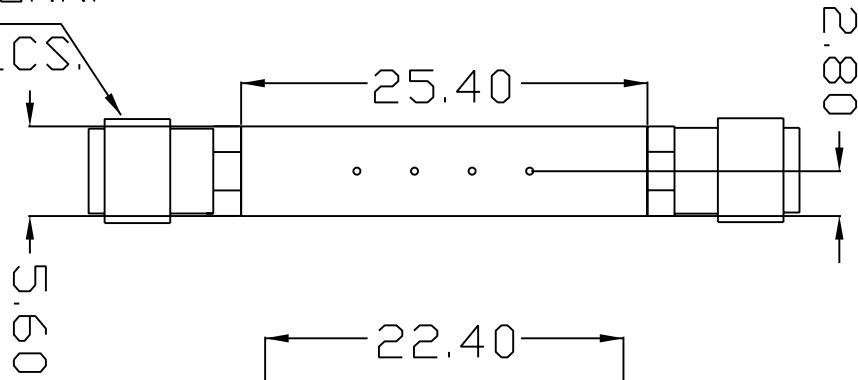
$\varnothing$  2.0 THRU  
TYP. 4 PLCS.

MARKING - BLACK  
GENERAL TOLERANCE:  $\pm 0.3$

NEXT ASSEMBLY		FINISH	GOLD	NAME	DATE
		PLATING PER		DRAWN	M.D 27/11/94
		PAINTING PER		ENG APP'D	A.C 27/11/94
		MATERIAL	AL-6061-T6	QA. APP'D	M.C 27/11/94
		SUREFACE FINISH			
		GENERAL TOLERANCES		TITLE SPST REF SWITCH P.C: 600	
DIM	MM/INCH	* $\pm .10 / .010$ "			
		.XX $\pm .05 / .005$ "			
SCALE		.XXX $\pm .025 / .002$ "			
EYAL MICROWAVE INDUSTRY				DRAWING NO. R-26	REV.

REV	DESCRIPTION	NAME	DATE
	INIT.	M.D	12/94

SMA (M) CONN.  
TYP. 2 PLCS.

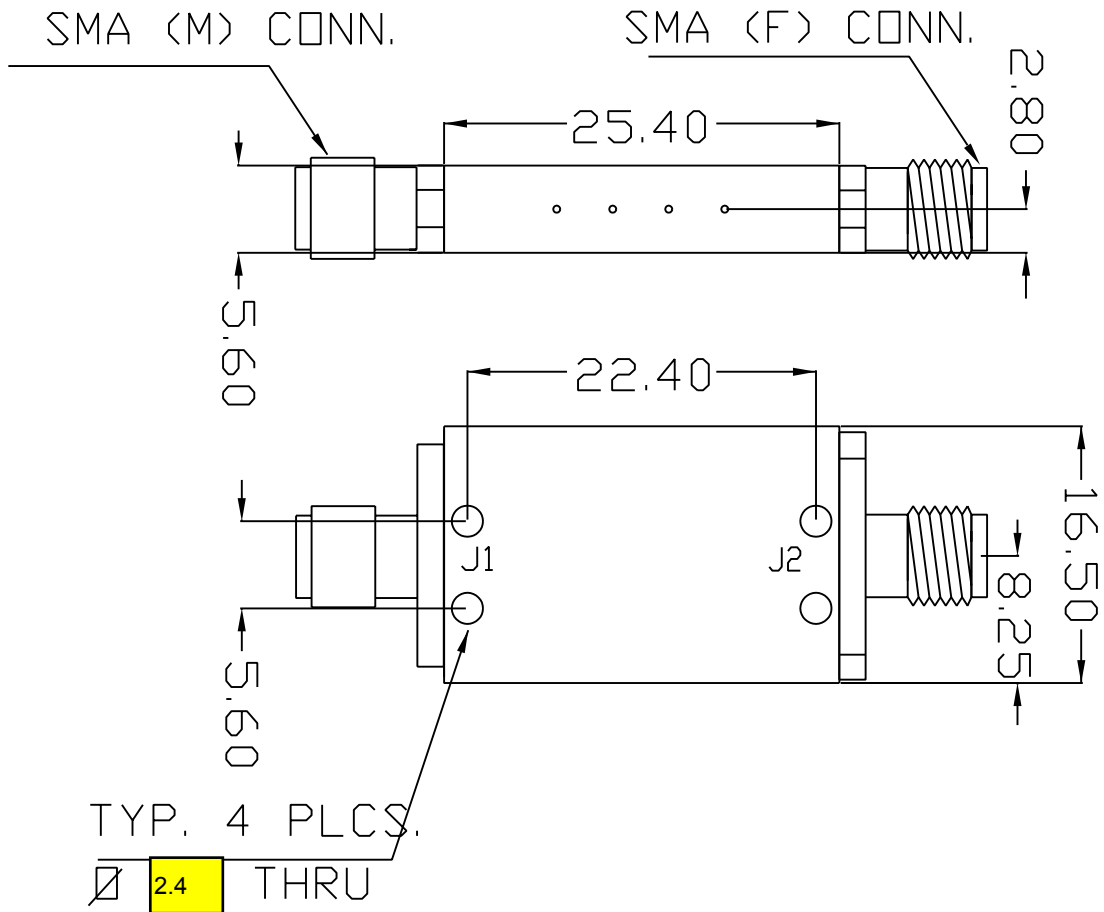


TYP. 4 PLCS.  
Ø 2.0 THRU

GENERAL TOLERANCE:  $\pm 0.3$

NEXT ASSEMBLY		FINISH		NAME	DATE
		PLATING PER		M.D	12/94
		PAINTING PER		ENG APP'D	A.C
		MATERIAL	AL-6061-T6	QA. APP'D	M.C
		SURFACE FINISH			
		GENERAL TOLERANCES		TITLE	
DIM	MM/INCH	.X $\pm .10 / .010$ "		PC : 200-2	
		.XX $\pm .05 / .005$ "			
SCALE		.XXX $\pm .025 / .002$ "			
EYAL MICROWAVE INDUSTRY			DRAWING NO. R-82		REV.

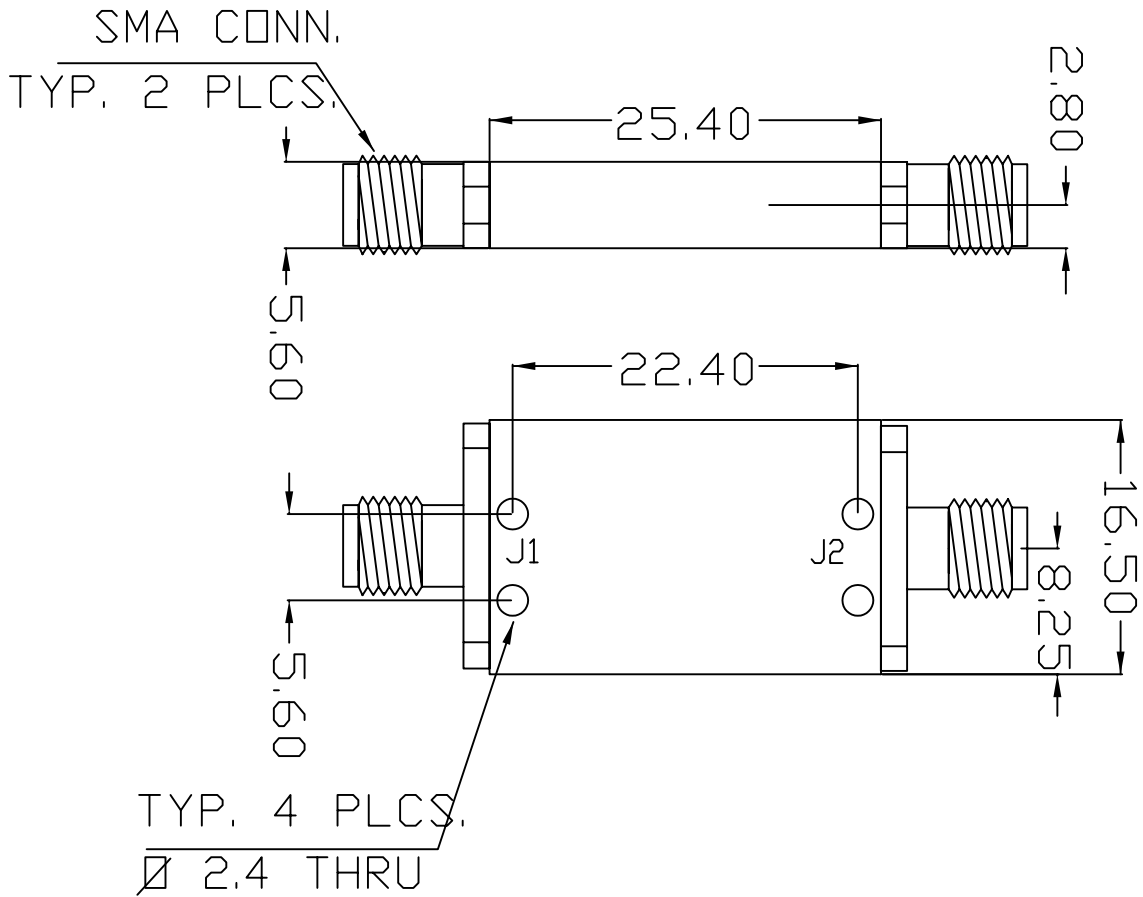
REV	DESCRIPTION	NAME	DATE
	INIT.	M.D	12/94



GENERAL TOLERANCE:  $\pm 0.3$

NEXT ASSEMBLY		FINISH		NAME	DATE
		PLATING PER		M.D	12/94
		PAINING PER		ENG APP'D	A.C 12/94
		MATERIAL	AL-6061-T6	QA. APP'D	M.C 12/94
		SUREFACE FINISH			
		GENERAL TOLERANCES		TITLE	
DIM	MM/INCH	.X $\pm .10 / .010$ "		PC : 200-2	
		.XX $\pm .05 / .005$ "			
		.XXX $\pm .025 / .002$ "			
SCALE				DRAWING NO. R-82	
EYAL MICROWAVE INDUSTRY				REV.	

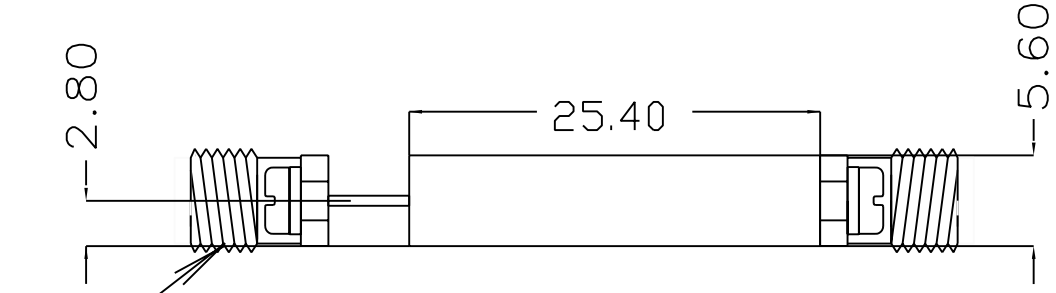
REV	DESCRIPTION	NAME	DATE
	INIT.	M.D	12/94



GENERAL TOLERANCE:  $\pm 0.3$

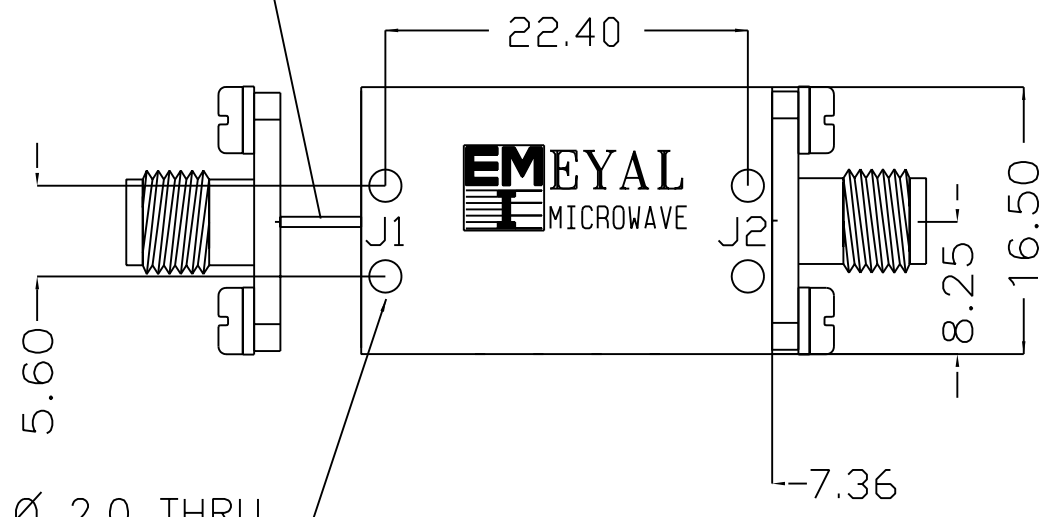
NEXT ASSEMBLY		FINISH		NAME	DATE
		PLATING PER		M.D	12/94
		PAINTING PER		A.C	12/94
		MATERIAL	AL-6061-T6	M.C	12/94
		SUREFACE FINISH			
		GENERAL TOLERANCES	TITLE		
DIM	MM/INCH	.X $\pm .10 / .010$ "	PC : 200-2		
SCALE		.XX $\pm .05 / .005$ "			
		.XXX $\pm .025 / .002$ "			
EYAL MICROWAVE INDUSTRY			DRAWING NO. R-82	REV.	

REV	DESCRIPTION	NAME	DATE
	INIT.	E.V.	11.08.03



SMA CONN/F (P/N:5601/5CCSF/or Equivalent)  
TYP. 2 PLCS.

Ø 0.30 x2.54  
TYP. 2 PLCS.



Ø 2.0 THRU  
TYP. 4 PLCS.

MARKING - BLACK

GENERAL TOLERANCE: ± 0.3

EMEYAL MICROWAVE IND  
Printed by .....  
Approved by .....  
Date .....

NEXT ASSEMBLY		FINISH	GOLD	NAME	DATE
		PLATING PER		E.V.	11.08.03
		PAINING PER		A.C	11.08.03
		MATERIAL	AL-6061-T6	M.C	11.08.03
		SUREFACE FINISH			
		GENERAL TOLERANCES		TITLE OUTLINE FOR	
DIM	MM/INCH	.X ± .10 / .010"		LIMITER	
		.XX ± .05 / .005"		PC : 200-2	
SCALE		.XXX ± .025 / .002"		DRAWING NO. R-82D	
EMEYAL MICROWAVE INDUSTRY				REV.	