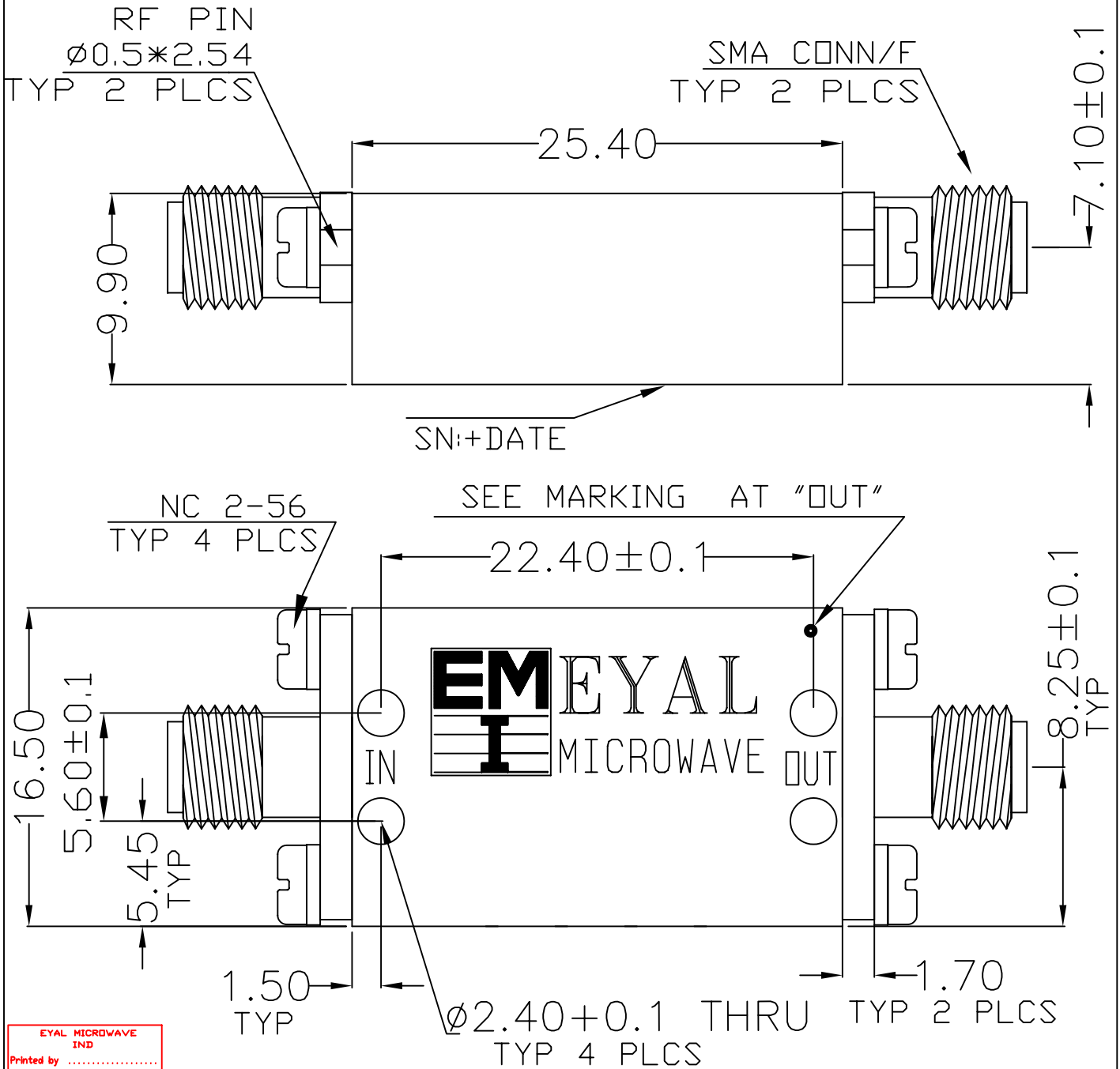


| REV | DESCRIPTION | NAME | DATE |
|-----|-------------|------|----------|
| --- | INIT. | E.V. | 31.05.04 |



EYAL MICROWAVE IND
 Printed by
 Approved by
 Date
SK-5588

| | | | | | |
|---------------|---------|--------------------------|------------|---------------------------|---------------|
| NEXT ASSEMBLY | | FINISH | Silver | NAME | DATE |
| | | PLATING PER | QQS-365D | DRAWN | E.V. 31.05.04 |
| | | PAINTING PER | | ENG APP'D | M.D. 31.05.04 |
| | | MATERIAL | AL-6061-T6 | QA. APP'D | M.C. 31.05.04 |
| | | SURFACE FINISH | | | |
| | | GENERAL TOLERANCE: ± 0.3 | | TITLE OUTLINE FOR LIMITER | |
| DIM | MM/INCH | MARKING - BLACK | | | |
| SCALE | | | | | |
| | | | | DRAWING NO. | 200/2-10 |
| | | | | REV. | |