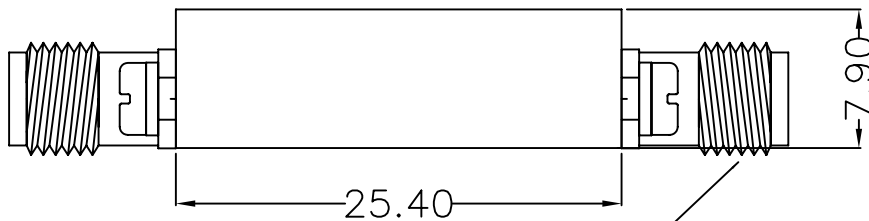
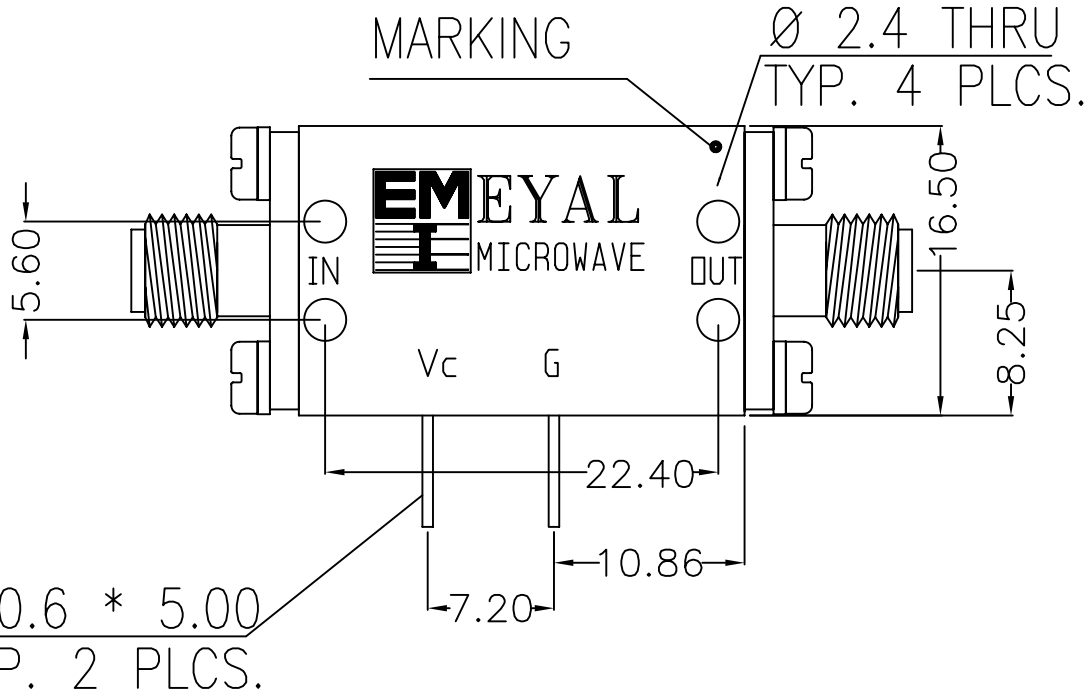
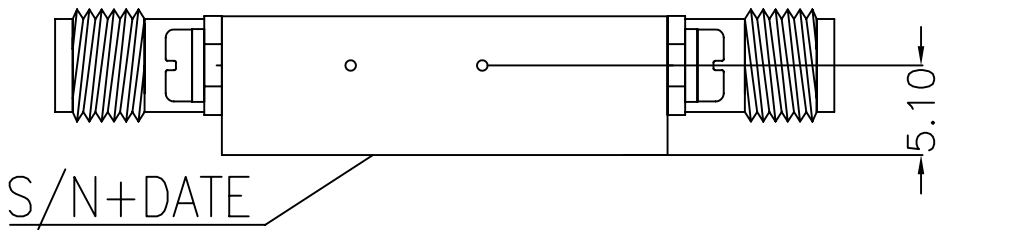


REV	DESCRIPTION	NAME	DATE
---	INIT	E.V.	03.11.03



EYAL MICROWAVE
 IND
 Printed by
 Approved by
 Date
LIM

NEXT ASSEMBLY		FINISH	GOLD	NAME	DATE
		PLATING PER		DRAWN	E.V. 03.11.03
		PAINTING PER		ENG APP'D	M.D. 03.11.03
		MATERIAL	AL-6061-T6	QA. APP'D	M.C 03.11.03
		SUREFACE FINISH			
		GENERAL TOLERANCES ± 0.3mm		TITLE: OUTLINE FOR SW.LIM P.C.200-2	
DIM	MM/INCH	MARKING BLACK.			
SCALE					
EYAL MICROWAVE INDUSTRY				DRAWING NO. XXXXX-12	REV.