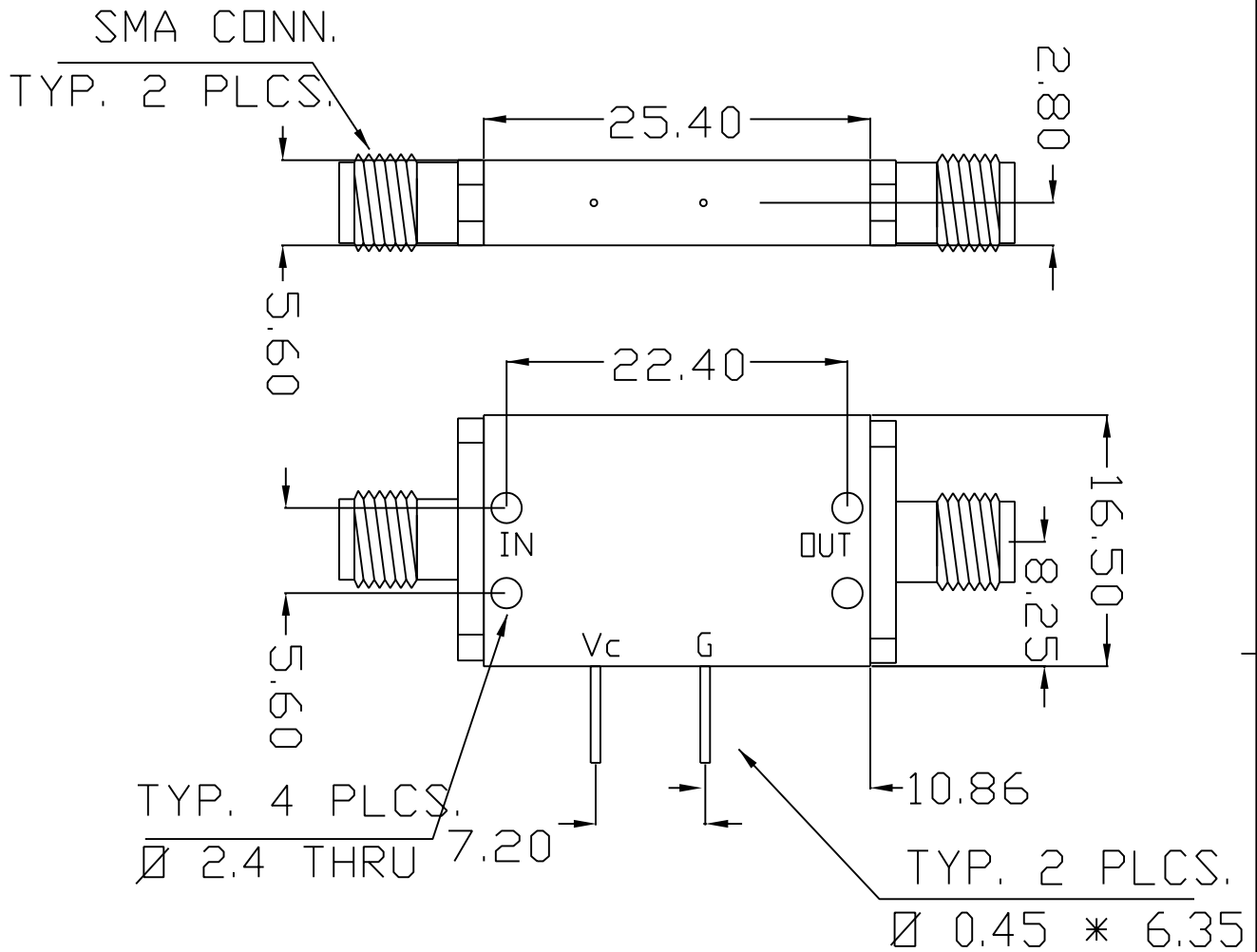


REV	DESCRIPTION	NAME	DATE
	INIT.	M.D	12/94



MARKING - BLACK

NEXT ASSEMBLY		FINISH	GOLD	NAME	DATE
		PLATING PER		M.D	12/94
		PAINTING PER		A.C	12/94
		MATERIAL	AL-6061-T6	M.C	12/94
		SUREFACE FINISH			
		GENERAL TOLERANCES		TITLE	
DIM	MM/INCH	.X ± .10 / .010"		SWITCH LIMITER	
		.XX ± .05 / .005"		PC : 200-2	
SCALE		.XXX ± .025 / .002"		DRAWING NO. R-82	
EYAL MICROWAVE INDUSTRY				REV.	