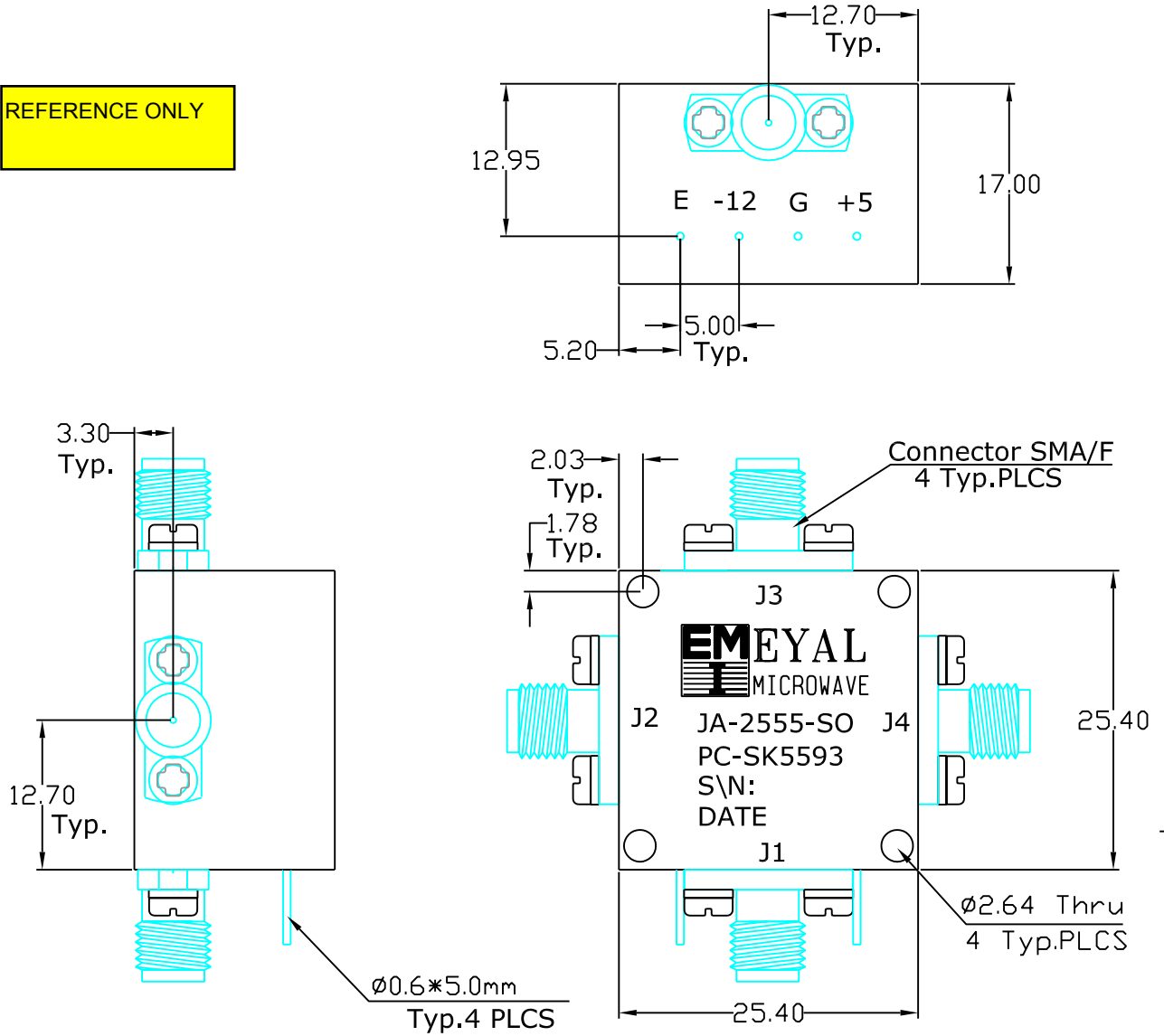


| REV | DESCRIPTION | NAME | DATE |
|-----|-------------|------|----------|
| | INIT. | S.V | 28/04/03 |

REFERENCE ONLY



EYAL MICROWAVE
IND

Printed By

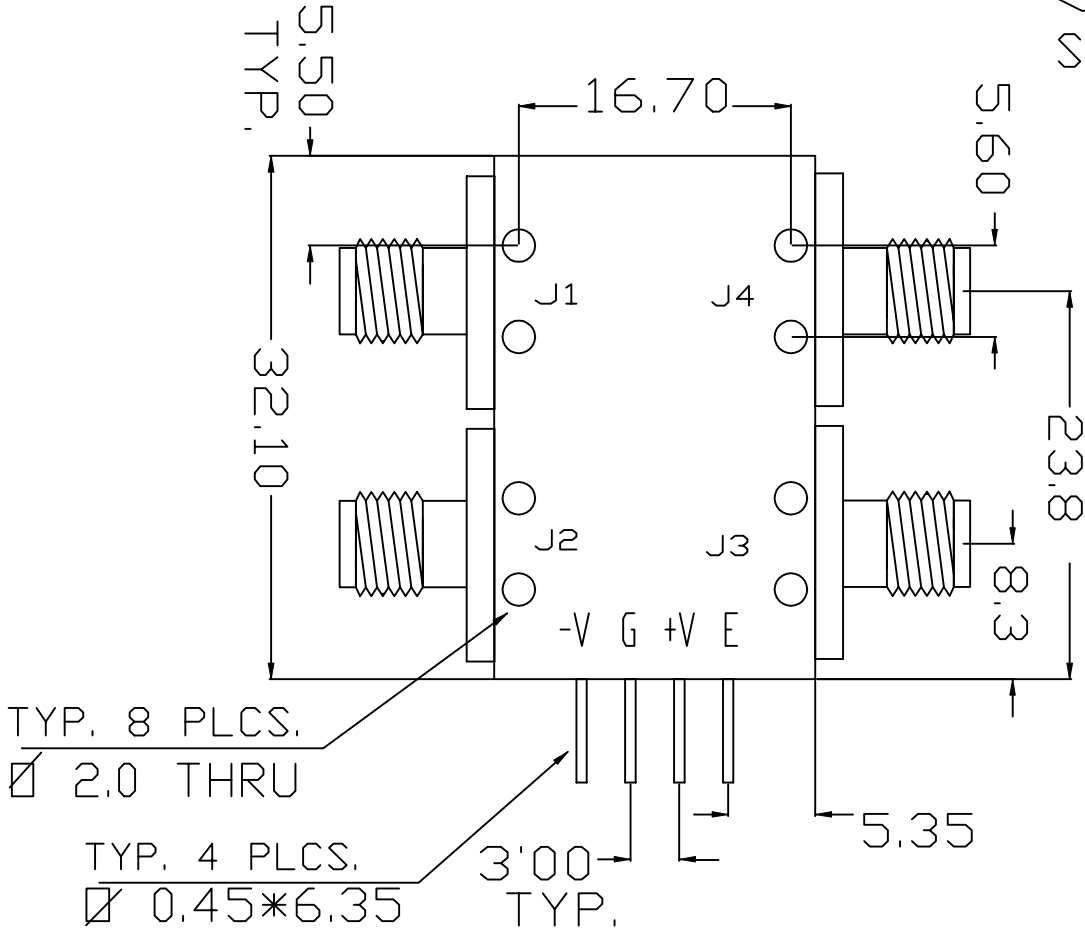
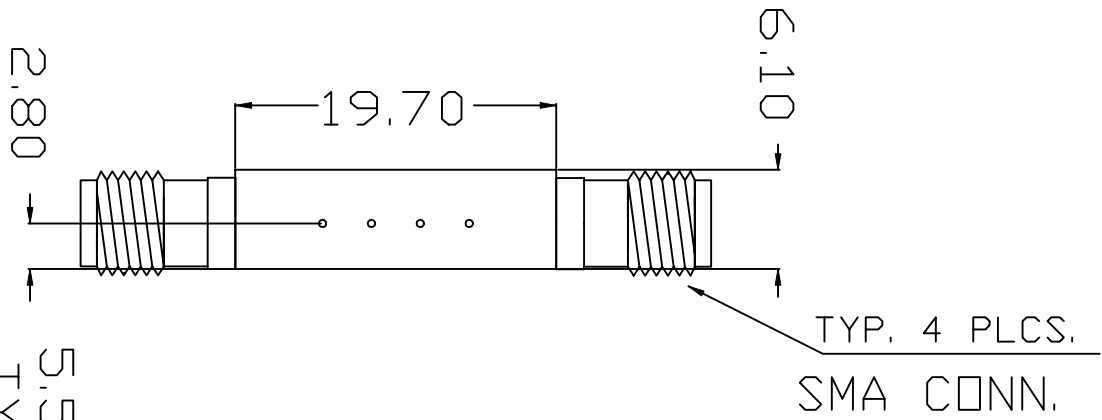
Signature

Date

SK-5593

| | | | | | | |
|---------------|----|--------------------------|-------------|--|---------|----------|
| NEXT ASSEMBLY | | FINISH | BLACK EPOXY | | NAME | DATE |
| | | PLATING PER | | DRAWN | S.V | 28/04/03 |
| | | PAINING PER | | ENG APP'D | M.D | 28/04/03 |
| | | MATERIAL | AL-6061-T6 | QA. APP'D | M.C | 28/04/03 |
| | | SUREFACE FINISH | | | | |
| | | GENERAL TOLERANCES: ±0.5 | | TITLE Transfer SWITCH JA-2555-S0-PC-SK5593 | | |
| DIM | MM | MARKING WHITE | | | | |
| SCALE | | | | | | |
| | | | | DRAWING NO. | xxxx-12 | REV. |

| | | | |
|-----|-------------|------|-------|
| REV | DESCRIPTION | NAME | DATE |
| | INIT. | M.D | 12/94 |



MARKING - BLACK

GENERAL TOLERANCE : ± 0.3

| | | | | | |
|-------------------------|---------|--------------------------|------------|-----------------|-------|
| NEXT ASSEMBLY | | FINISH | GOLD | NAME | DATE |
| | | PLATING PER | | M.D | 12/94 |
| | | PAINTING PER | | A.C | 12/94 |
| | | MATERIAL | AL-6061-T6 | M.C | 12/94 |
| | | SUREFACE FINISH | | | |
| | | GENERAL TOLERANCES | | TITLE | |
| DIM | MM/INCH | .X $\pm .10 / .010$ " | | TRANSFER SWITCH | |
| SCALE | | .XX $\pm .05 / .005$ " | | P.C : 206 | |
| | | .XXX $\pm .025 / .002$ " | | | |
| EYAL MICROWAVE INDUSTRY | | | | DRAWING NO. | R-60 |
| | | | | REV. | |